

# Optical Mounts

## VenusLab Optical Mounts & Accessories

Optical precision adjustment support components

- Multi-dimensional high-precision adjustment
- Low-stress clamping
- Metric and imperial compatibility



## One Platform Many Possibilities

Contact Us [sales@venuslabtech.com](mailto:sales@venuslabtech.com)

Get a Quote



Get Expert Advice  
+658099 5547 ( WhatsApp )



Visit Us  
[www.venuslabtech.com](http://www.venuslabtech.com)

## Overview

High rigidity and earthquake resistance, precise positioning

Full range of high-precision optical adjustment components. Combining precision thread fine-tuning and stress-free clamping technology, it achieves micron-level positioning and absolute locking of various lenses, providing an extremely stable foundation for rigorous optical experiments.

## Applications

Experimental platforms: Construction of precision optical paths such as interferometers and spectral systems. Industrial lasers: Fixation of internal optical paths in laser processing and detection equipment. Optical testing: Precise alignment and adjustment of various lenses and reflectors.

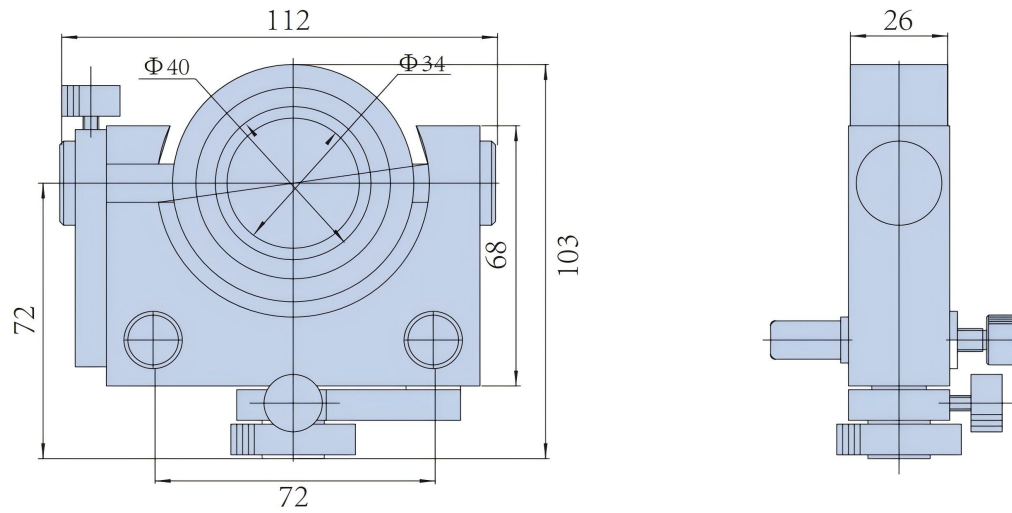
## Technical Specifications

### VenusLab Optomechanical Components Master Table

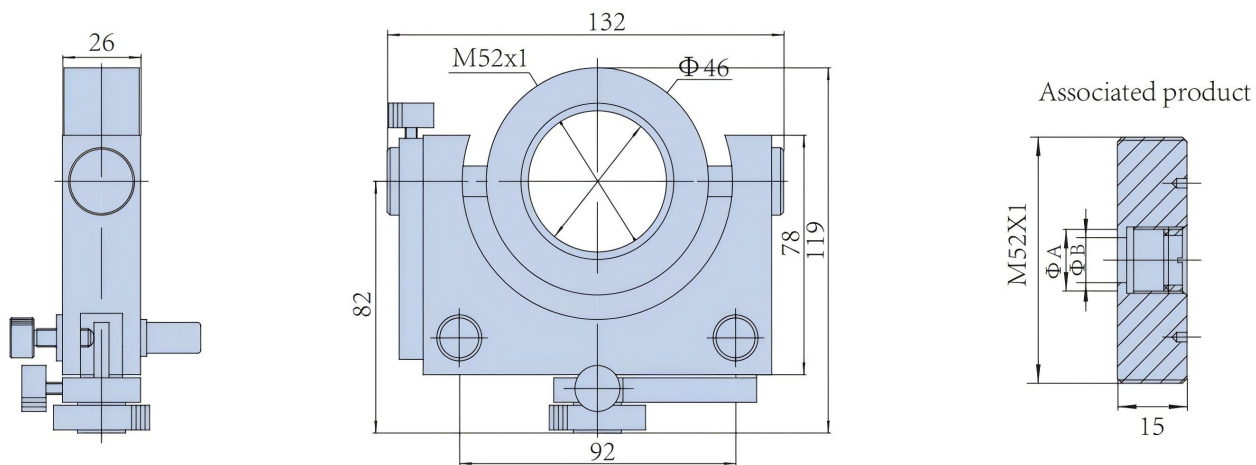
Category	VenusLab SKU	Optic Size	Axis	Tilt Range	Resolution	Feature
Universal Reflector	VL-URM-040	40 mm	z, x, y	Rot 360°, Tilt ±3°	-	Fine Thread M6x0.25
Universal Reflector	VL-URM-050A	M52x1	z, x, y	Rot 360°, Tilt ±3°	-	Threaded Mounting
Universal Reflector	VL-URM-050B	50 mm	x, y	±5°	-	Orthogonal Coplanar
Universal Reflector	VL-URM-080 ~ 106	80 - 106 mm	x, y	±5°	-	Large Format, Coplanar
Polarizer Mount	VL-PLM-S1	M52x1	z	360°	-	360° Scale, Simple
Polarizer Mount	VL-PLM-038 / 056	38 / 56 mm	z	360°	-	Teflon 3-Point Support
Polarizer Mount	VL-PLM-25A ~ 25D	25.4 mm	z, x, y	Rot 360°, Tilt ±5°	2°	Precision Axis
Filter Mount	VL-FWM-06 / 12	24 mm (x6/x12)	z	360°	-	Multi-Filter Wheel
Adjustable Mount	VL-ALM-3A / 3B	5 - 102 mm	-	-	-	3-Arm Auto-Centering
Adjustable Mount	VL-ALM-V100	5 - 100 mm	-	-	-	V-Clamp Design
Adjustable Mount	VL-ALM-XY	Width 35-300 mm	X, Y, x, y	-	-	2D Translation & Tilt
Cylindrical Mount	VL-CLM-XY	50.8 x 60.5 mm	x, y, z	Tilt ±4°, Rot ±5°	-	2D Tilt + Rotation
Cylindrical Mount	VL-CLM-T25	6.4/12.7 x 25 mm	-	-	-	Thread Locking
Lens Adapter	VL-LMA-110 ~ 1100	10 - 100 mm	-	-	-	Standard Outer Dia.
Lens Adapter	VL-LMA-213 ~ 240	12 - 40 mm	-	-	-	M52x1 Threaded
Lens Adapter	VL-LMA-313 ~ 430	13 - 40 mm	-	-	-	Counterbore Mount
Laser Tube Mount	VL-LTM-45S	Max 45 mm	-	-	-	Simple Structure
Laser Tube Mount	VL-LTM-45K / 45M	Max 45 mm	x, y	±5°	-	Kinematic / Micrometer
Laser Tube Mount	VL-LTM-60D	Max 60 mm	x, y	±5°	-	Dual 3-Point Fixing
Prism Stage	VL-PPS-30 / 60	Height 30/60 mm	x, y	±5°	-	High Precision M4x0.3
Prism Stage	VL-PPS-XY60	60 x 60 mm (Stage)	x, y	±5°	5' (Arcmin)	2D Pitch & Yaw
Prism Stage	VL-PPS-V1 / V2 / V3	8-25 / 50-100 mm	-	-	-	V-Groove, Elastic Clamp
Pinhole	VL-PHA-S1 Series	3µm - 200µm	-	-	-	High Precision Aperture
Iris Diaphragm	VL-IRD-010 ~ 059	1 - 59 mm	Aperture Size	-	Continuous	9 to 20 Blades
Variable Slit	VL-VSL-80S / 80D	0 - 14 mm (Width)	Width Adjust	-	Continuous	80mm Height, Single/Dual
Variable Slit	VL-VSL-100 / 010	0 - 14 / 0 - 6 mm	Width Adjust	-	Continuous	Variable Height Specs
Beam Steering	VL-BSR-180A / B / C	20 - 60 mm	z, x, y	Rot 360°, Tilt ±4°	-	180mm Lift Height
Beam Steering	VL-BSR-500	20 - 30 mm	z, x, y	Rot 360°, Tilt ±4°	-	500mm Lift Height

## Structural Diagram

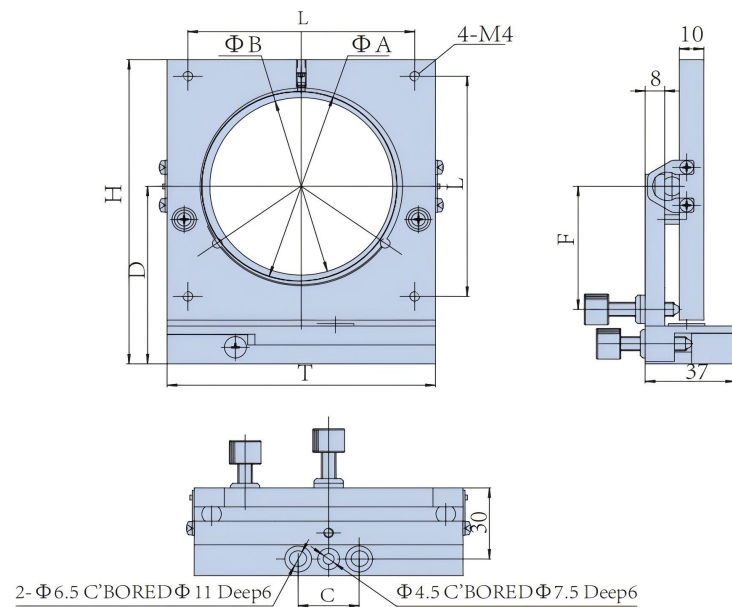
VL-URM-040



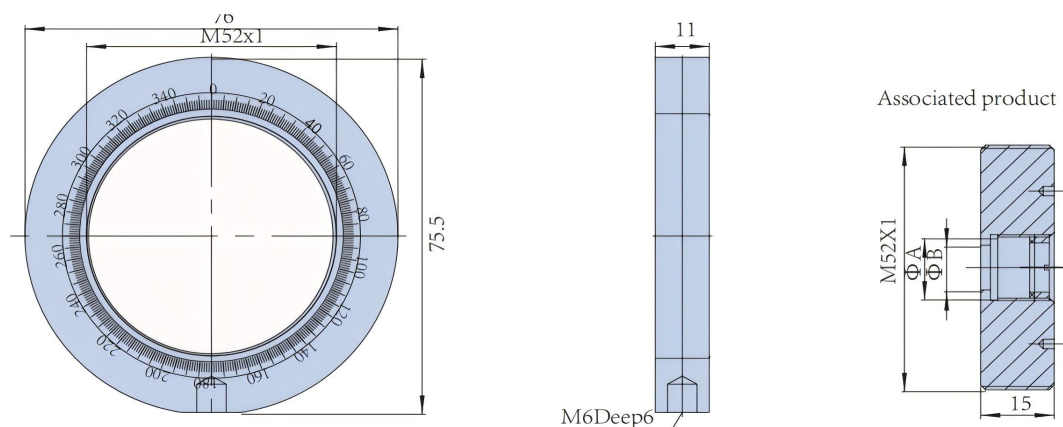
VL-URM-050A



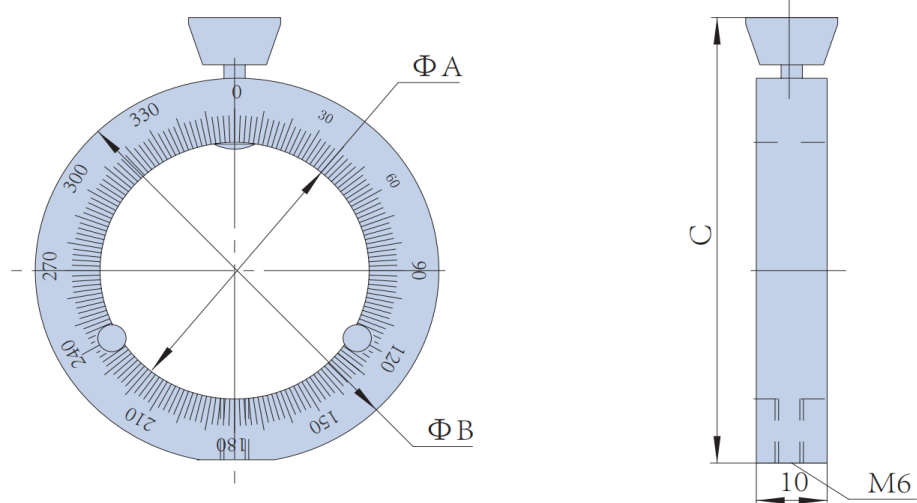
VL-URM-050B, VL-URM-080, VL-URM-100, VL-URM-102, VL-URM-106



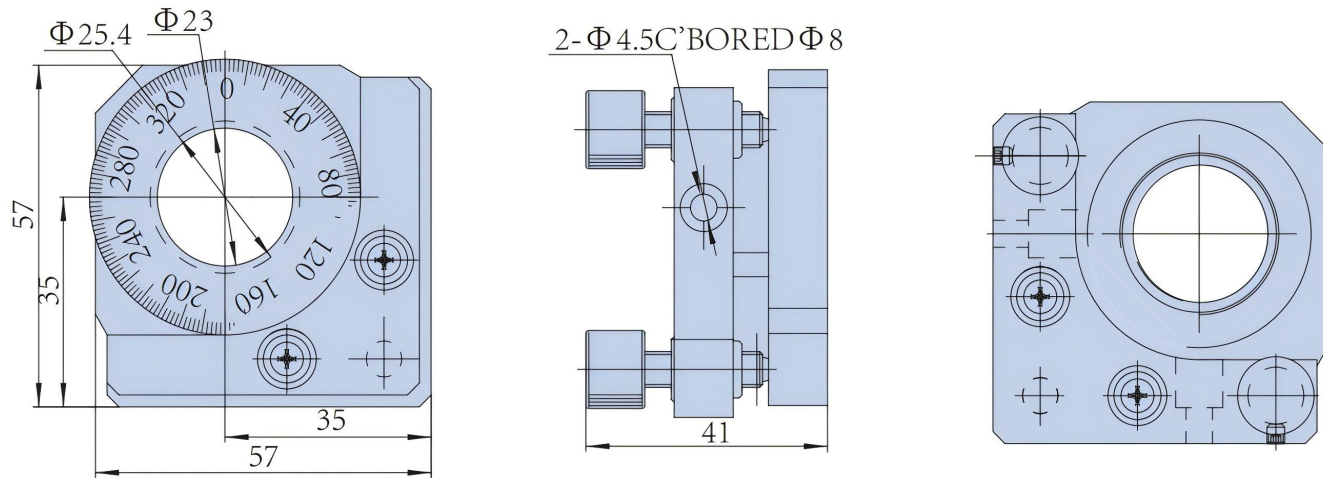
VL-PLM-S1



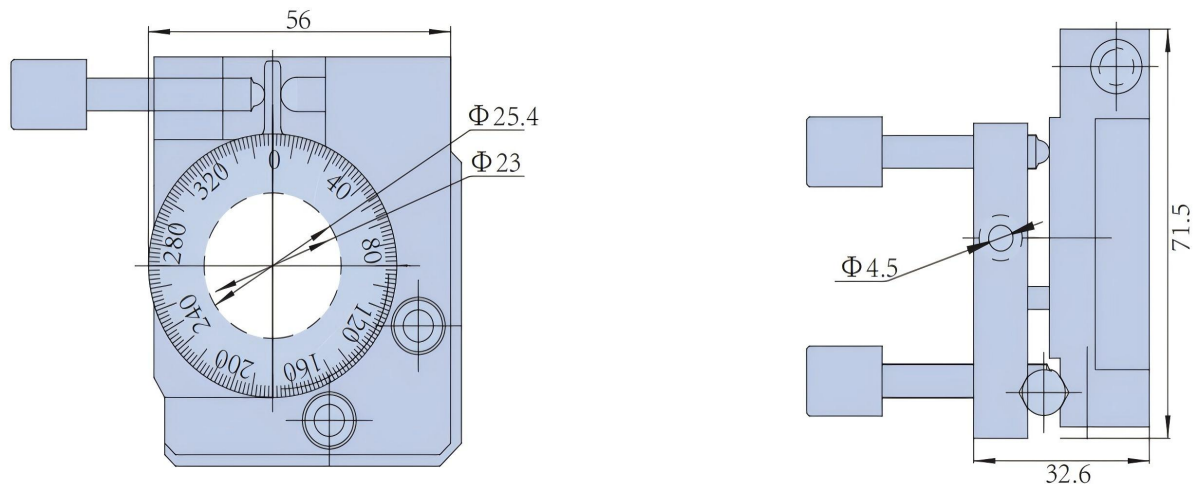
VL-PLM-038, VL-PLM-056



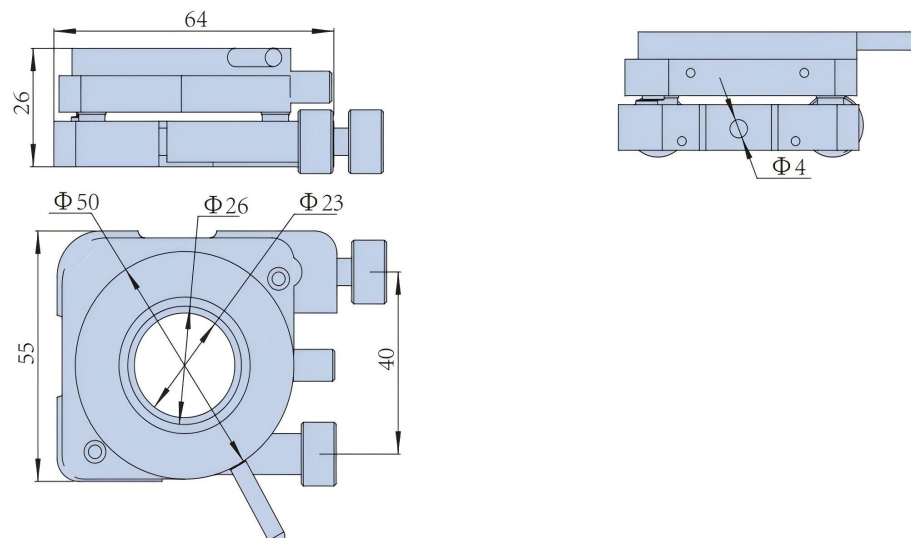
VL-PLM-25A



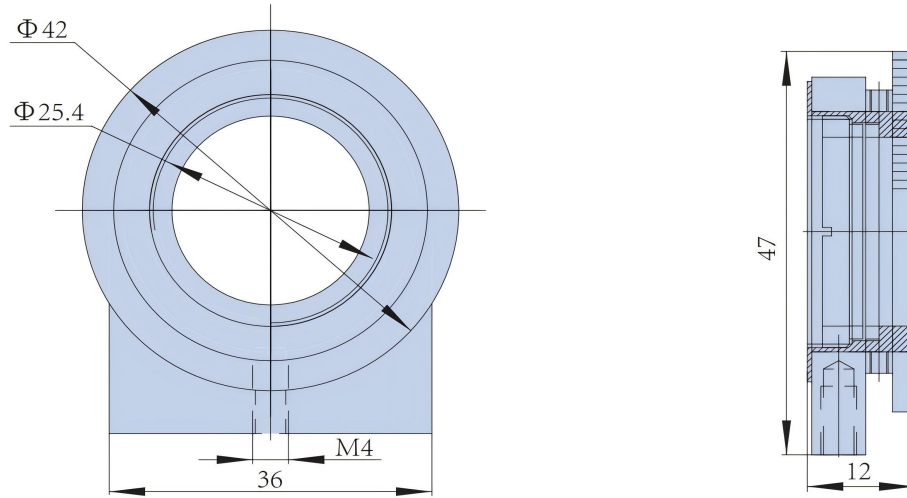
VL-PLM-25B



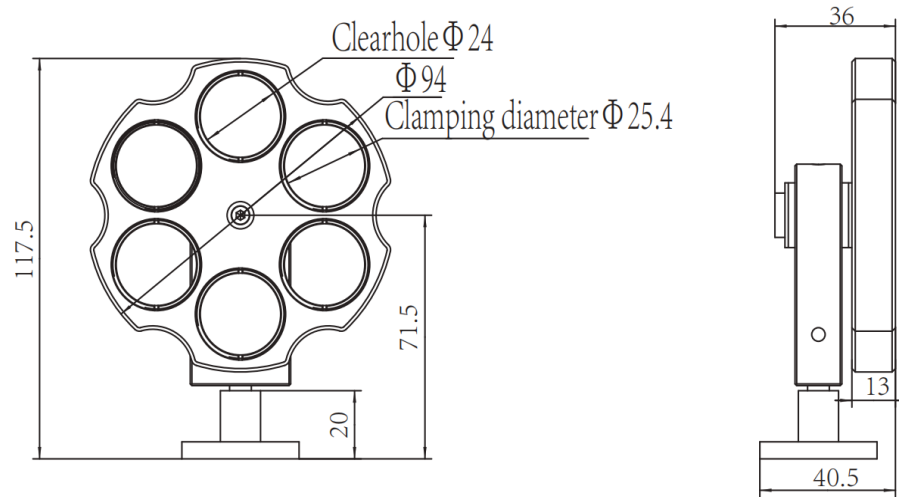
VL-PLM-25C



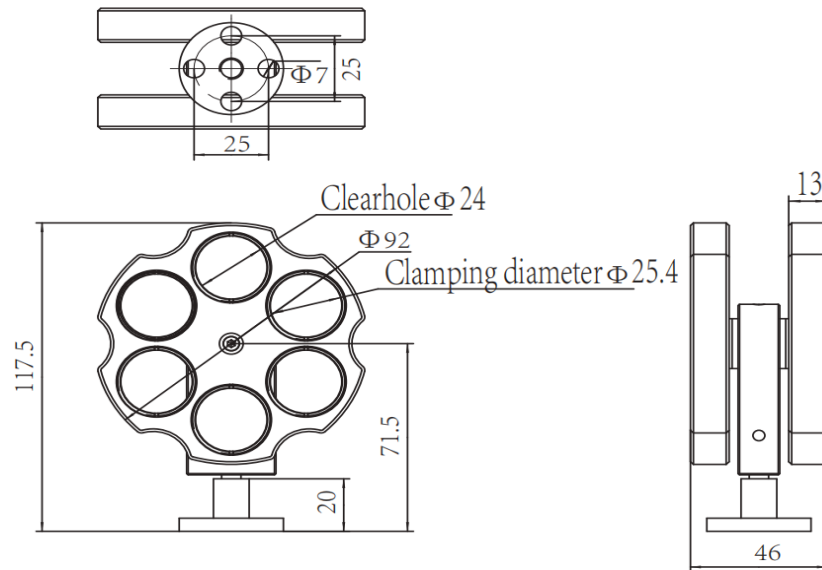
VL-PLM-25D



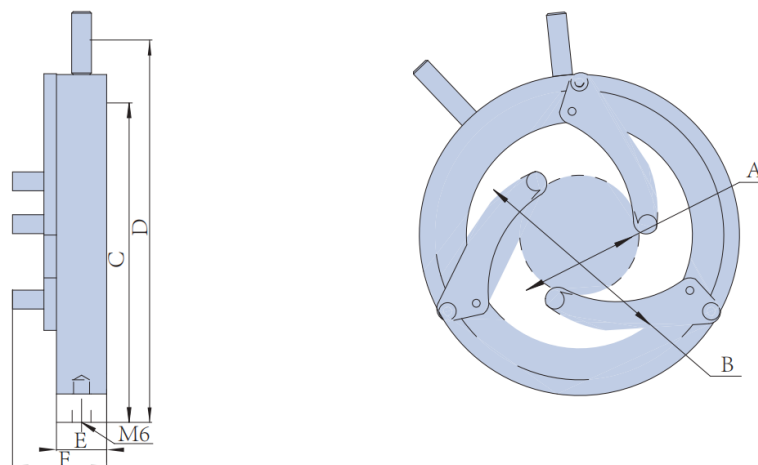
VL-FWM-06



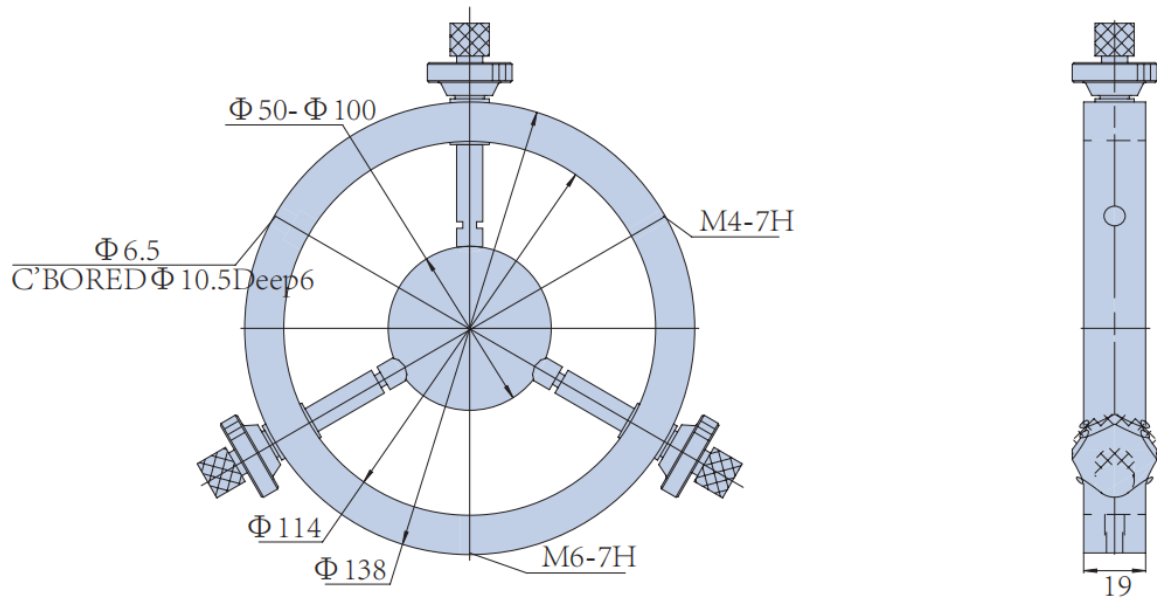
VL-FWM-12



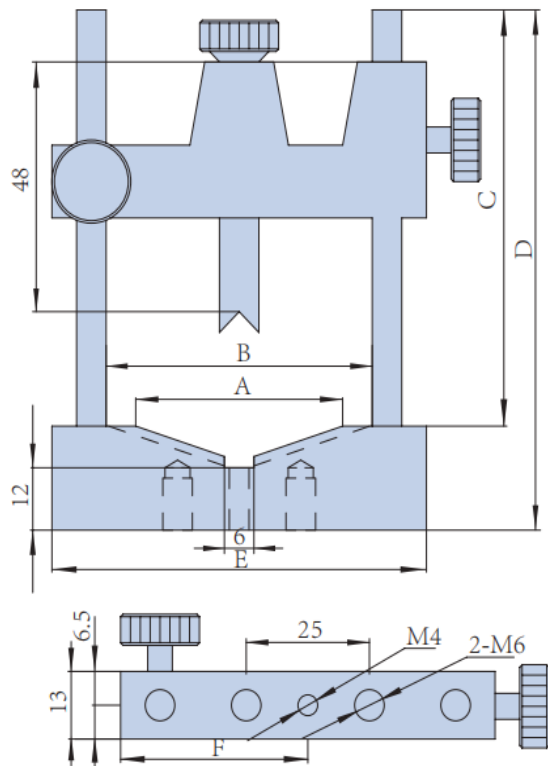
VL-ALM-3A



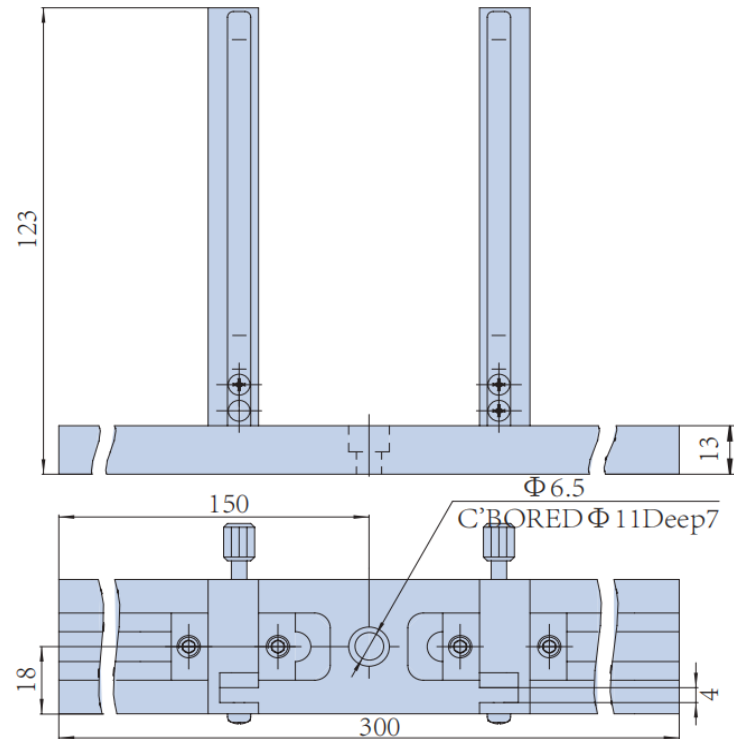
VL-ALM-3B



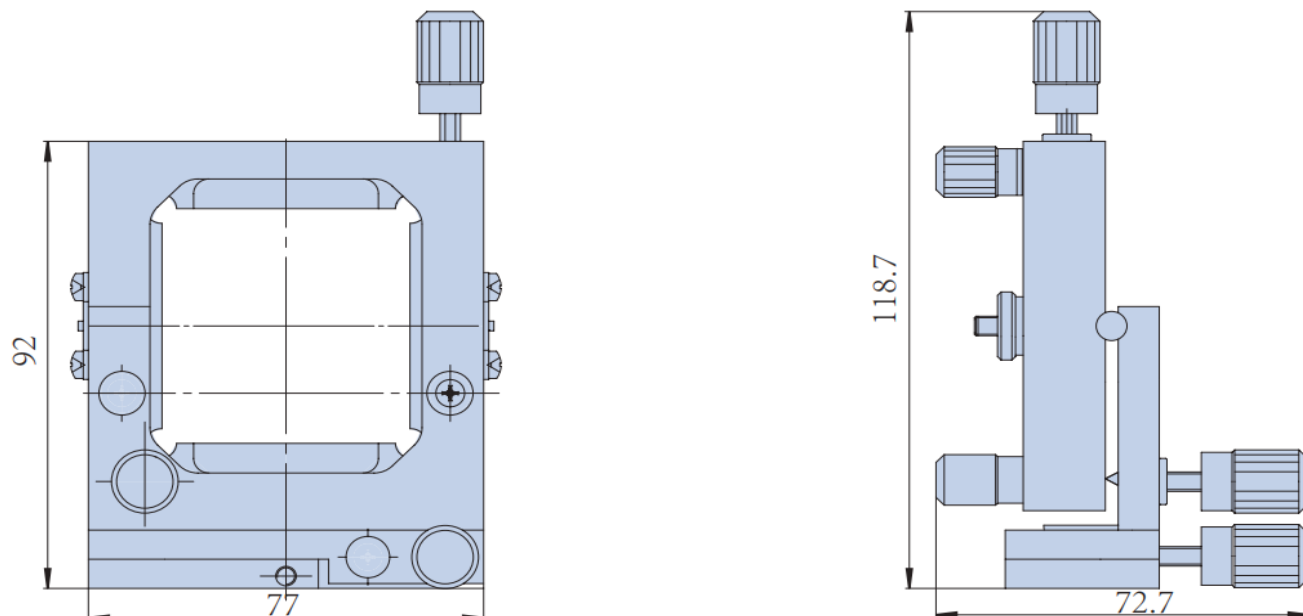
VL-ALM-V100



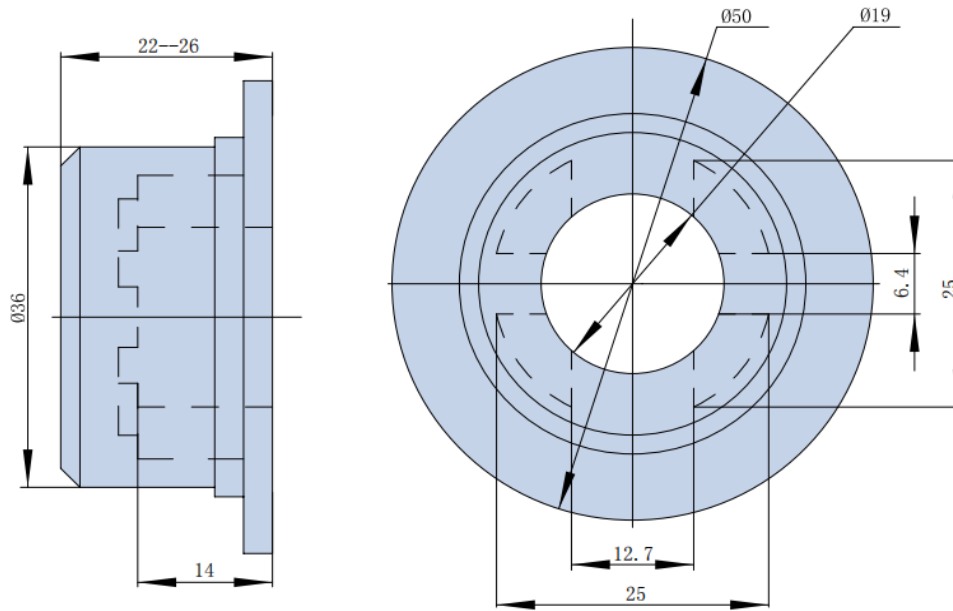
VL-ALM-XY



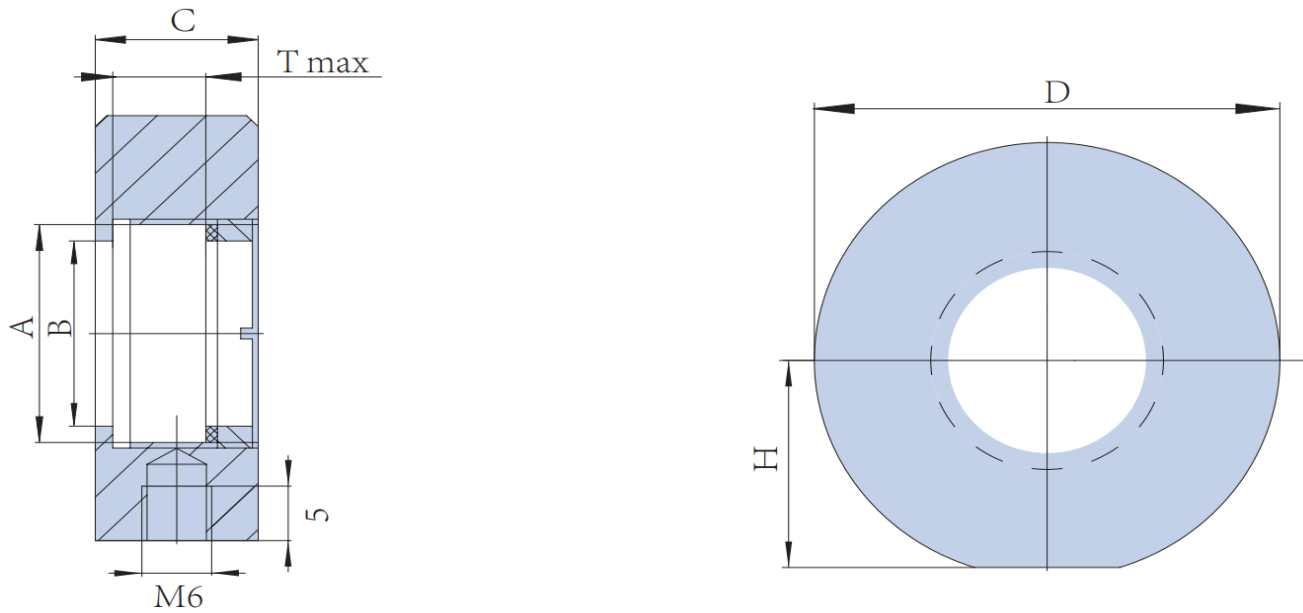
VL-CLM-XY



## VL-CLM-T25

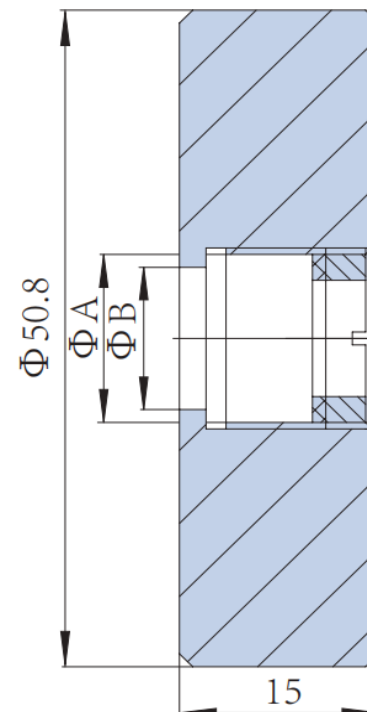
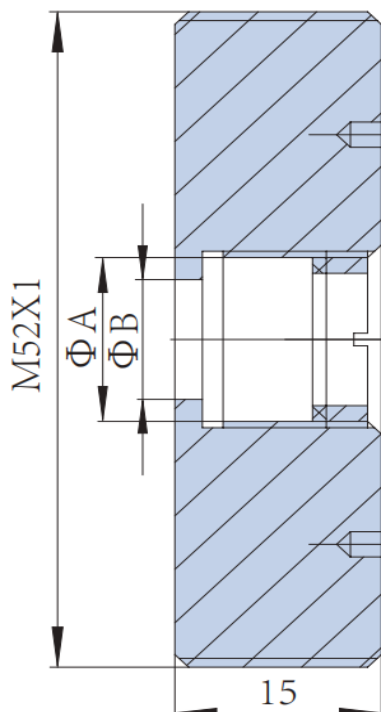


VL-LMA-110, VL-LMA-113, VL-LMA-115, VL-LMA-120, VL-LMA-125, VL-LMA-126, VL-LMA-130, VL-LMA-135, VL-LMA-138, VL-LMA-140, VL-LMA-150, VL-LMA-160, VL-LMA-176, VL-LMA-180, VL-LMA-1100

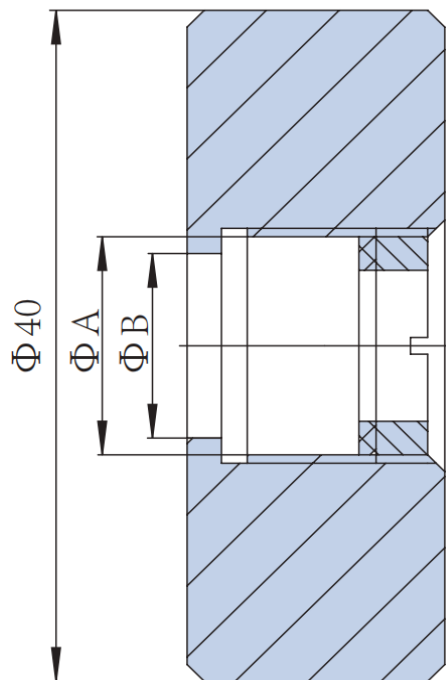


VL-LMA-213, VL-LMA-220, VL-LMA-226, VL-LMA-230, VL-LMA-240

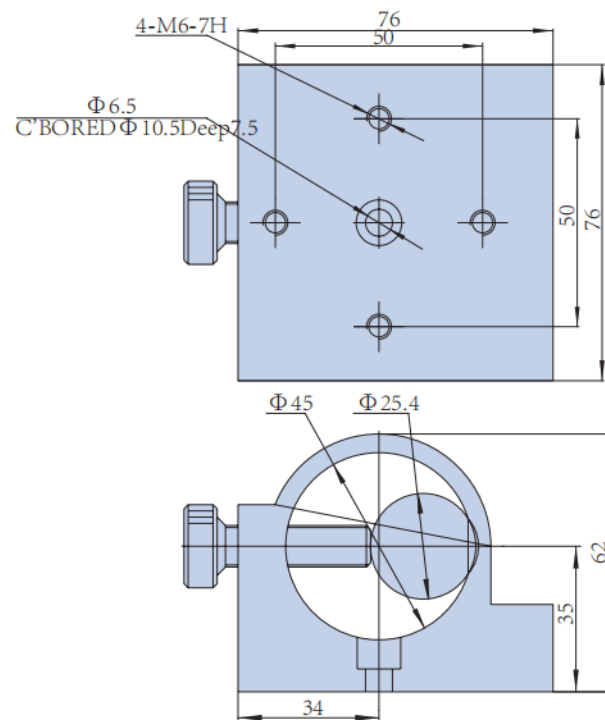
VL-LMA-313, VL-LMA-320, VL-LMA-326, VL-LMA-330, VL-LMA-340



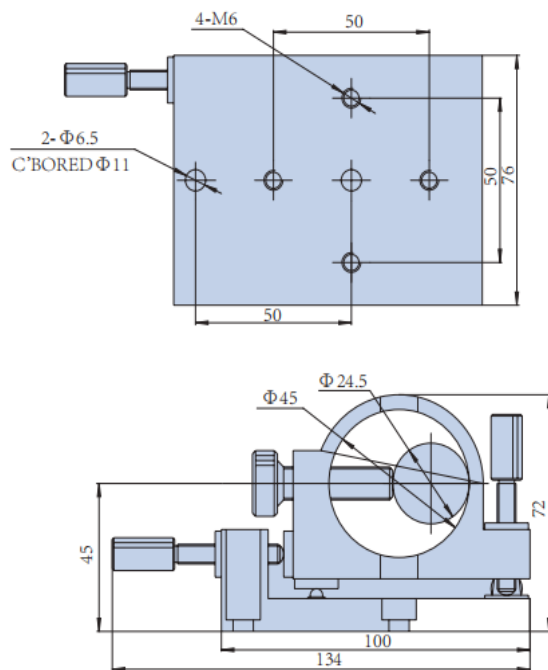
VL-LMA-413, VL-LMA-420, VL-LMA-426, VL-LMA-430



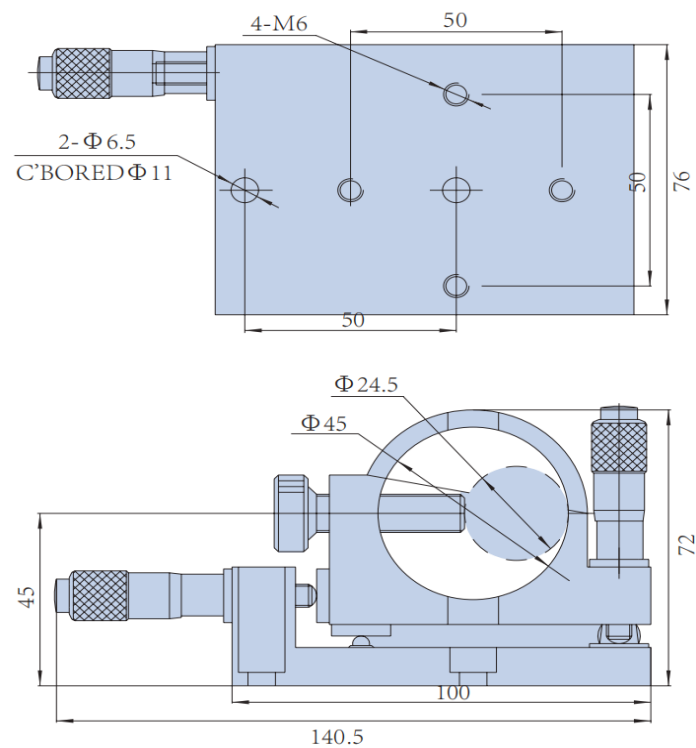
VL-LTM-45S



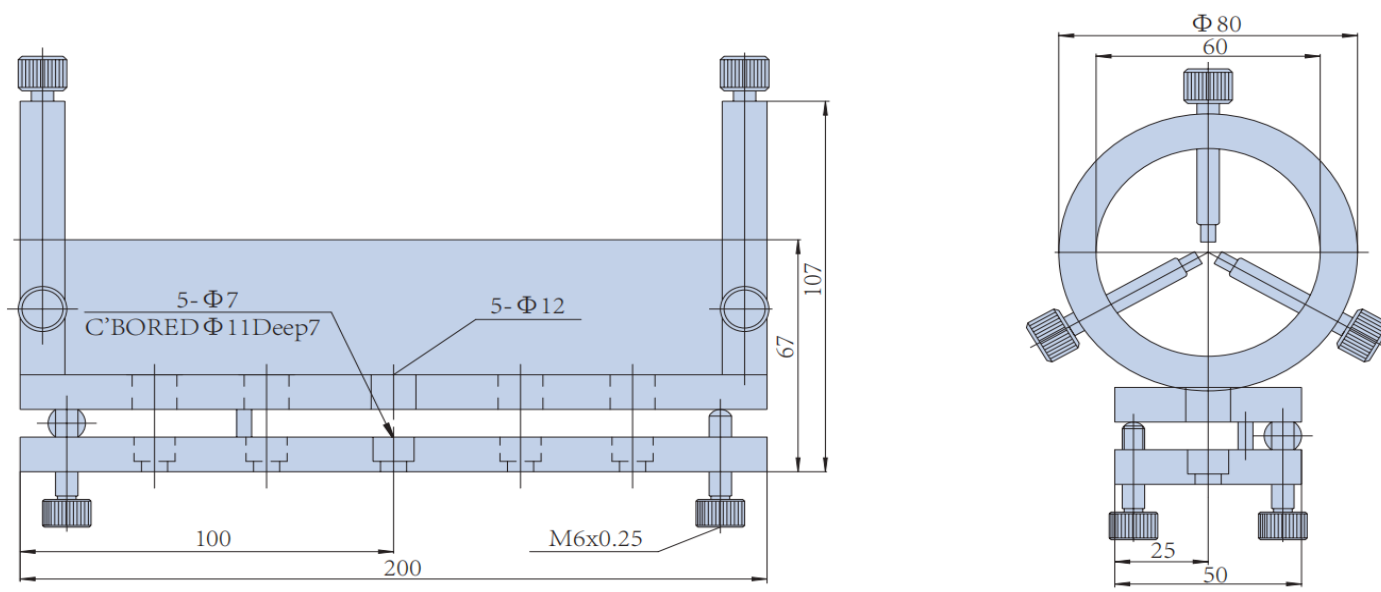
VL-LTM-45K



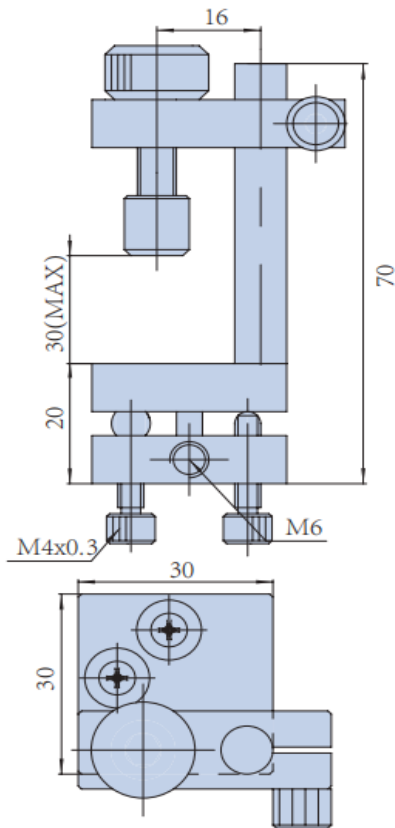
VL-LTM-45M



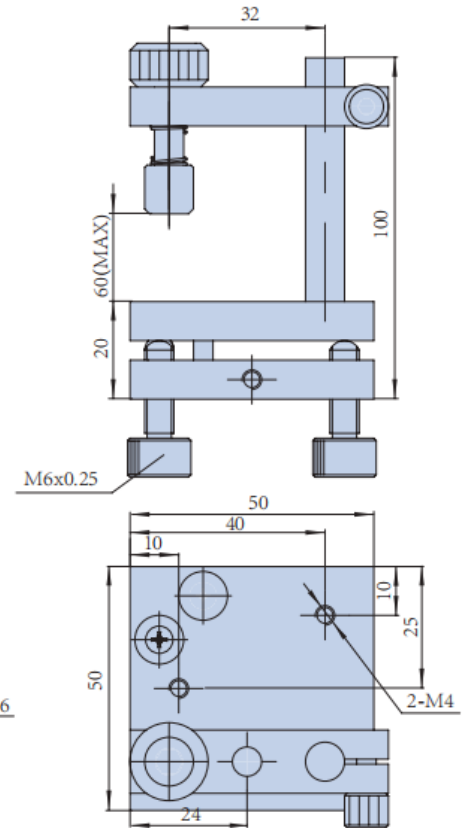
VL-LTM-60D



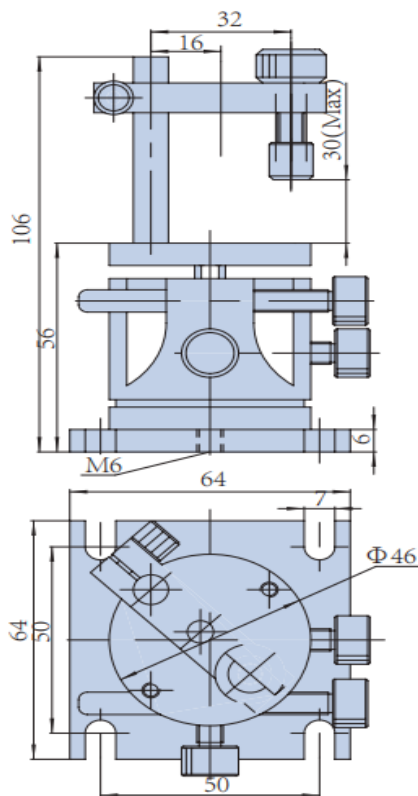
VL-PPS-30



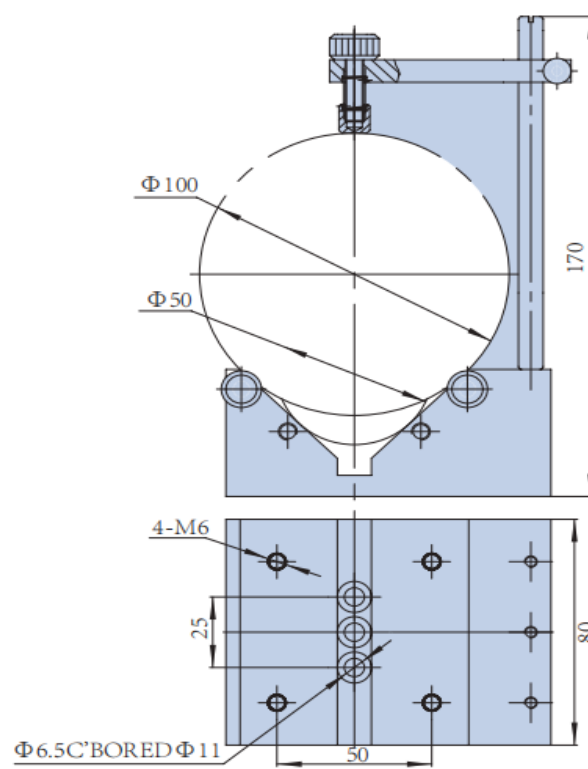
VL-PPS-60



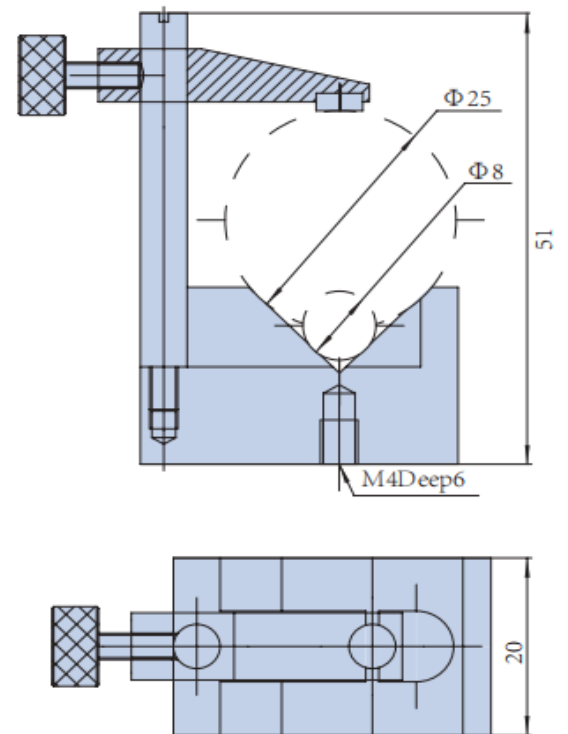
VL-PPS-XY60



VL-PPS-V1



VL-PPS-V2



## Service & Support

We are dedicated to delivering exceptional optoelectronic solutions to every client. From precision manufacturing and secure delivery to full-lifecycle technical support, we are here to ensure a seamless and reliable experience at every step.

### 1. Warranty Policy

#### Quality First, Worry-Free Operation

**Warranty Period:** We offer a **two-year** warranty service for all of our core optoelectronic products, effective from the date of shipment.

**Coverage:** We provide free repair or replacement services for malfunctions caused by material defects or workmanship errors under normal operating conditions.

**Rapid Response:** Upon receiving a warranty claim, we guarantee to initiate the assessment process within **24 hours** to minimize your equipment downtime.

### 2. Technical Support

#### Expert Team, Full-Process Guidance

**Technical Consultation:** Our team of senior optical engineers provides **24/7 online support** to assist with installation, commissioning, optical path alignment, and parameter optimization.

**Scheduled Maintenance:** We offer full-lifecycle maintenance recommendations, including firmware upgrades, optical component cleaning guidelines, and precision calibration services.

**Training Services:** We provide customized remote or on-site operational and safety training to ensure your team can operate the equipment efficiently and safely.

### 3. Logistics & Delivery

#### Precision Packaging, Global Reach

**Professional Packaging:** Given the fragile nature of optical instruments, we utilize industrial-grade shockproof, anti-static, and moisture-proof vacuum packaging to ensure zero damage during transit.

**Logistics Partners:** We partner with top-tier global logistics providers (**DHL / FedEx / UPS / SF Express**) to offer reliable shipping with real-time tracking.

**Shipping Insurance:** All shipments are fully insured to eliminate logistics risks.

### 4. Compliance & Certification


#### Strict Standards, Total Compliance

**Quality Certification:** Our manufacturing process is **ISO 9001 certified**, and our products comply with international standards such as **CE** and **RoHS**.

**Export Compliance:** "Committed to environmental responsibility, all our products comply with **RoHS 2.0** and **REACH** standards, ensuring safety and global compliance."

## Explore Series

Model/Tilt Range	Tilt Range	Mechanism	Resolution	Optic Size
VL-EMM-G-25	± 2°	Precision Screw	0.002°	Ø 25.4 mm (1")
VL-EMM-G-100-A	±3°	Heavy Duty Drive	0.001°	Ø 100 mm (4")
VL-EMM-K-25	±4°	Kinematic Screw	0.002°	Ø 25.4 mm (1")

 Get in touch with our team to explore configurations, request a quote, or learn more about customized solutions tailored to your needs.

Let us help you move science forward—faster and smarter.

[Get a Quote](#)



Get Expert Advice  
+658099 5547 ( WhatsApp )



Visit Us  
[www.venuslabtech.com](http://www.venuslabtech.com)