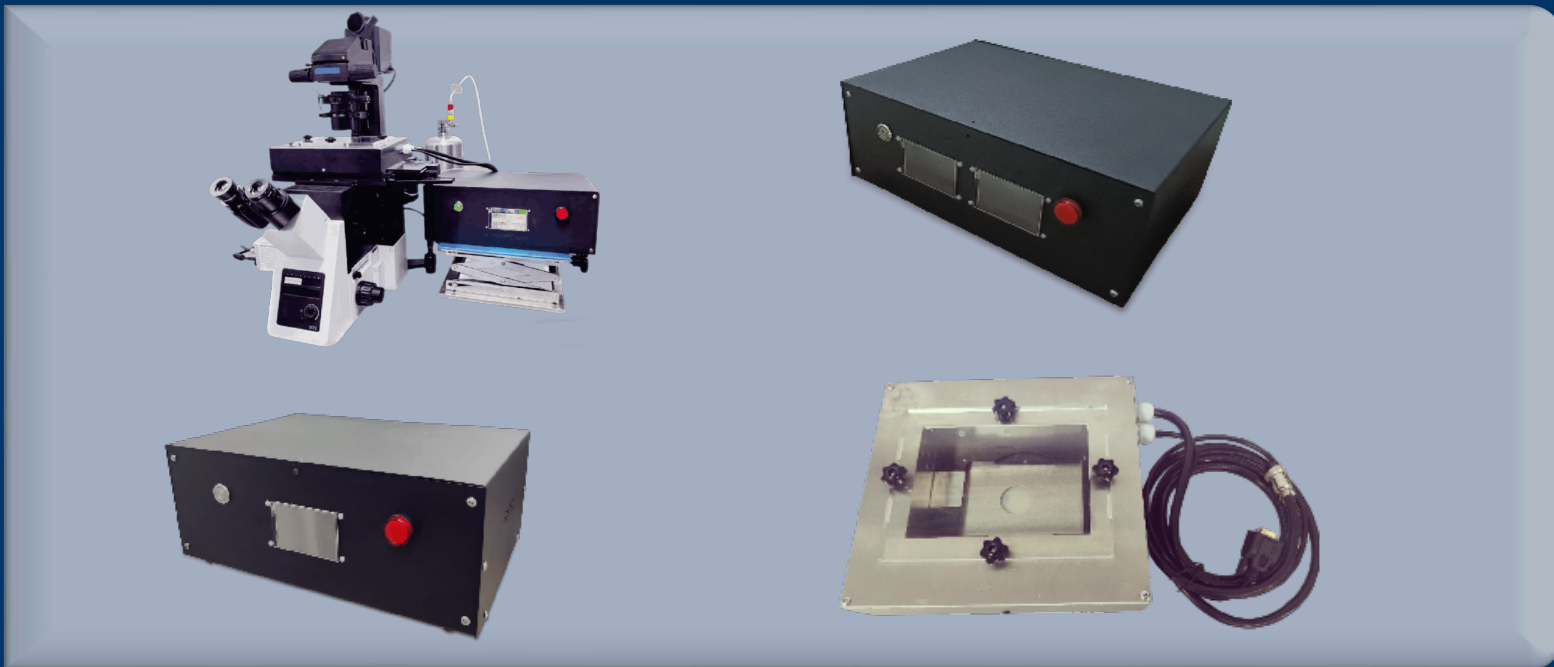


# Biological Microscopy

## Venuslab In-situ Observation Cell Incubator

In vitro cell culture device for in-situ cell culture and real-time dynamic observation

- Maintaining the native state of cells + long-term continuous monitoring
- Precise multi-parameter regulation + simulation of in vivo physiological environment
- High-resolution imaging, multi-modal imaging, intelligent image analysis, compact and portable



One Platform Many Possibilities

Contact Us [sales@venuslabtech.com](mailto:sales@venuslabtech.com)

Get a Quote

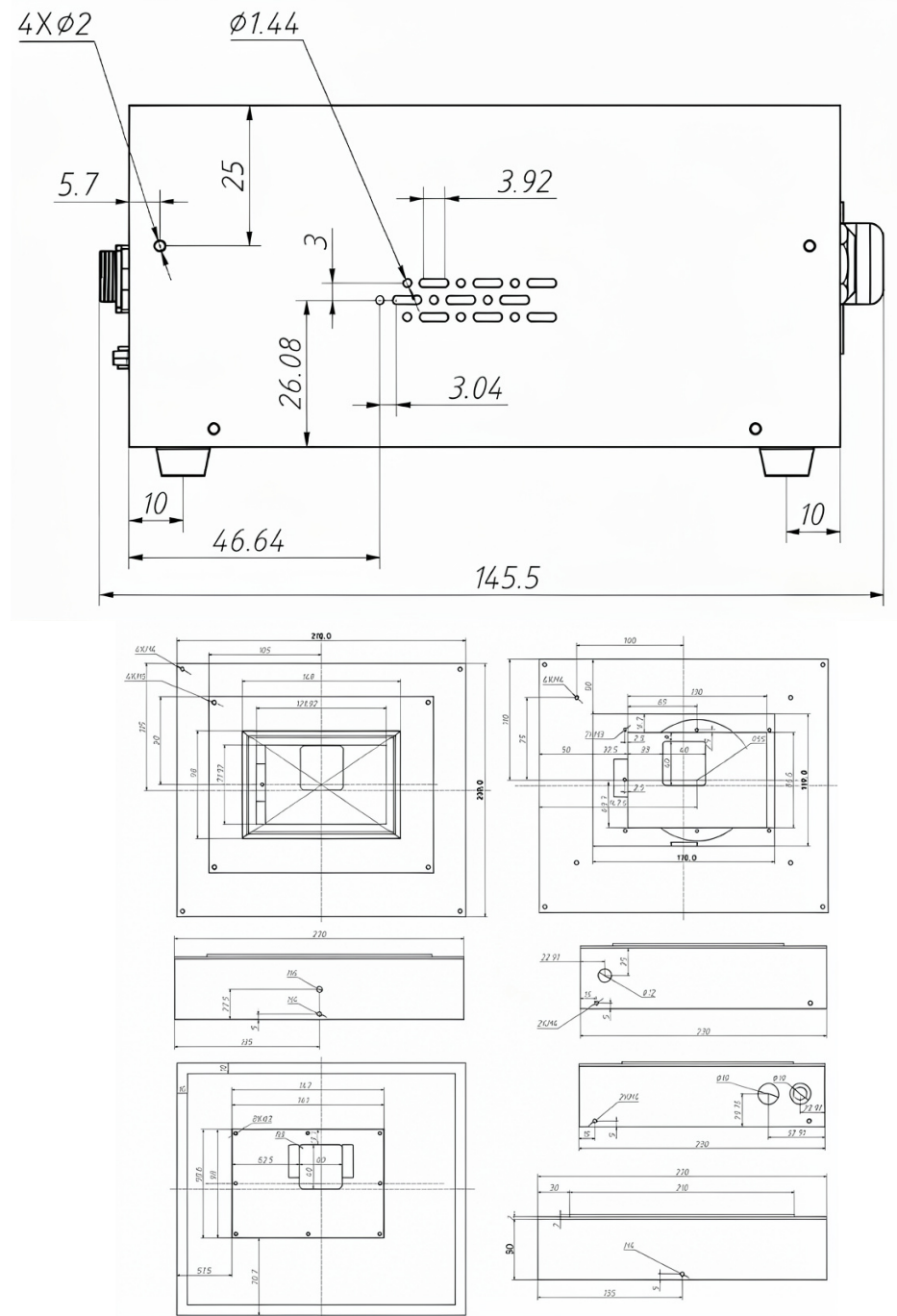


Get Expert Advice  
+658099 5547 ( WhatsApp )

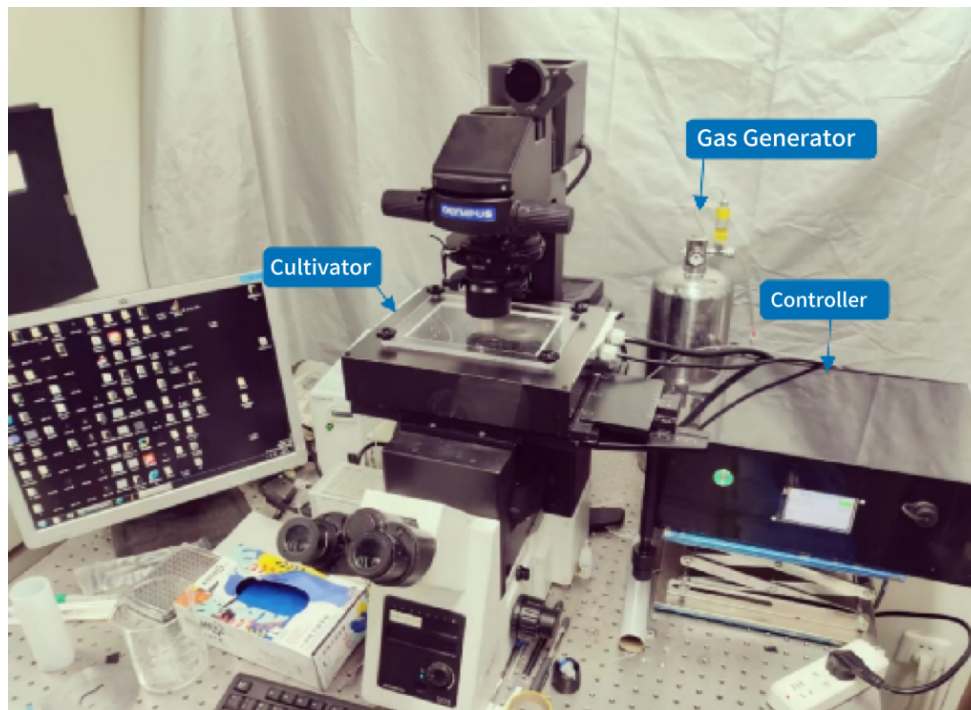


Visit Us  
[www.venuslabtech.com](http://www.venuslabtech.com)





## Configuration



## Service & Support

We are dedicated to delivering exceptional optoelectronic solutions to every client. From precision manufacturing and secure delivery to full-lifecycle technical support, we are here to ensure a seamless and reliable experience at every step.

### 1. Warranty Policy

**Quality First, Worry-Free Operation**

**Warranty Period:** We offer a **two-year** warranty service for all of our core optoelectronic products, effective from the date of shipment.

**Coverage:** We provide free repair or replacement services for malfunctions caused by material defects or workmanship errors under normal operating conditions.

**Rapid Response:** Upon receiving a warranty claim, we guarantee to initiate the assessment process within **24 hours** to minimize your equipment downtime.

### 2. Technical Support

**Expert Team, Full-Process Guidance**

**Technical Consultation:** Our team of senior optical engineers provides **24/7 online support** to assist with installation, commissioning, optical path alignment, and parameter optimization.

**Scheduled Maintenance:** We offer full-lifecycle maintenance recommendations, including firmware upgrades, optical component cleaning guidelines, and precision calibration services.

**Training Services:** We provide customized remote or on-site operational and safety training to ensure your team can operate the equipment efficiently and safely.

### 3. Logistics & Delivery

**Precision Packaging, Global Reach**

**Professional Packaging:** Given the fragile nature of optical instruments, we utilize industrial-grade shockproof, anti-static, and moisture-proof vacuum packaging to ensure zero damage during transit.

**Logistics Partners:** We partner with top-tier global logistics providers (**DHL / FedEx / UPS / SF Express**) to offer reliable shipping with real-time tracking.

**Shipping Insurance:** All shipments are fully insured to eliminate logistics risks.

### 4. Compliance & Certification


**Strict Standards, Total Compliance**

**Quality Certification:** Our manufacturing process is **ISO 9001 certified**, and our products comply with international standards such as **CE** and **RoHS**.

**Export Compliance:** "Committed to environmental responsibility, all our products comply with **RoHS 2.0** and **REACH** standards, ensuring safety and global compliance."

## Explore Series

Model	Gas concentration control accuracy	Average power	Temperature control accuracy	Objective lens structure
Venuslab TriGas-0.1	±0.1% (supports gases such as CO <sub>2</sub> , N <sub>2</sub> , O <sub>2</sub> , etc.)	22W	±0.1°C	Objective lens ultra-close fully enclosed

 Get in touch with our team to explore configurations, request a quote, or learn more about customized solutions tailored to your needs.

Let us help you move science forward—faster and smarter.

[Get a Quote](#)



Get Expert Advice  
+658099 5547 ( WhatsApp )



Visit Us  
[www.venuslabtech.com](http://www.venuslabtech.com)