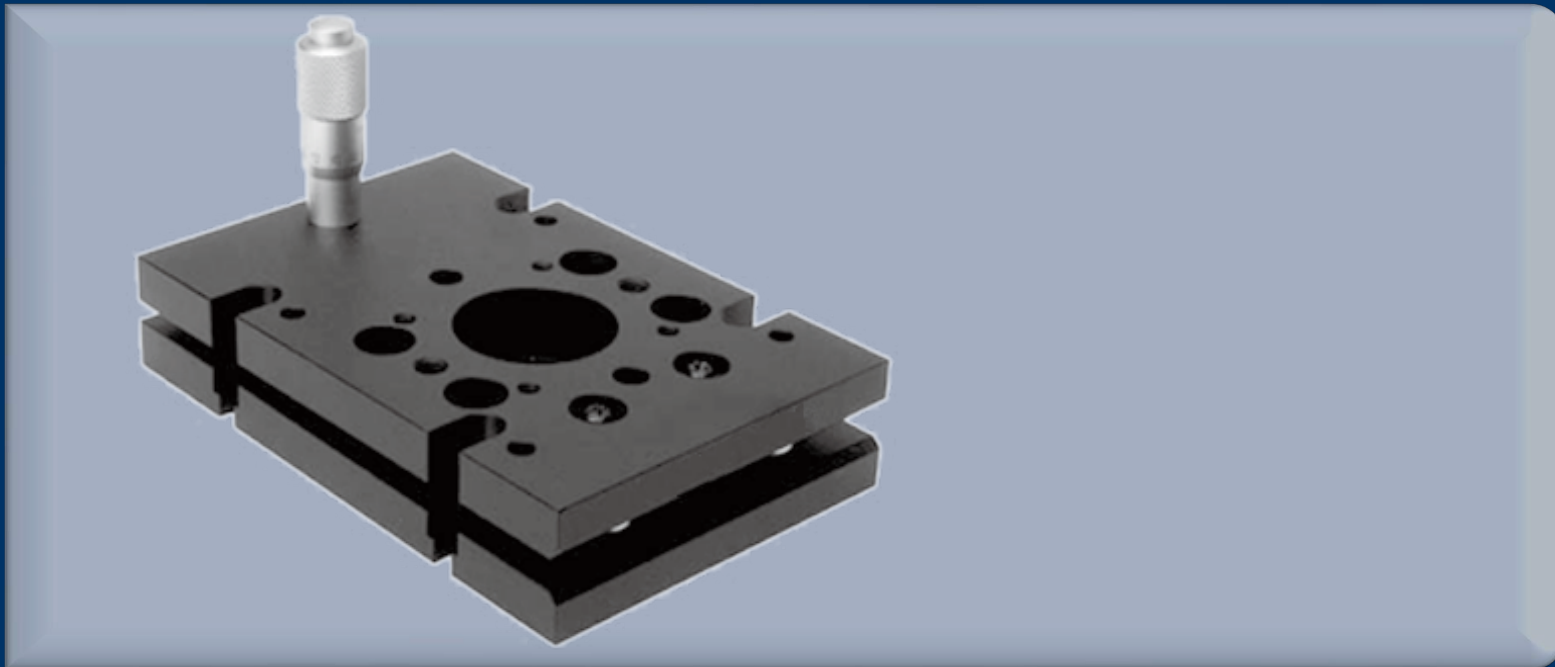


Manual tilting table

VenusLab Tilt Stage

High-Rigidity Precision Angular Adjustment Stage

- Precision components, backlash-free, arcminute-level angle adjustment.
- Single/dual-axis tilt; fixes standard stages' angle limits, compact and stable.



One Platform Many Possibilities

Contact Us sales@venuslabtech.com

Get a Quote



Get Expert Advice
+658099 5547 (WhatsApp)



Visit Us
www.venuslabtech.com

Overview

Locking Micro-radians, Precise Tilt

The VL-TS series is an adjustment unit specifically designed to solve the "non-horizontal" problem in optical paths. It abandons the complex shim adjustment method and utilizes a high-precision pivot structure, allowing users to intuitively and quantitatively correct the pitch and yaw angles of optical components. Whether it is a heavy-duty laser or a micro prism, VL-TS can provide stable support and extremely high position retention, making it a key component for constructing a perfect parallel optical path.

Applications

- Precise pitch alignment of resonator mirrors.
- Correcting angular deviations in long-distance beam transmission.
- Eliminating wedge angle errors during the installation of optical components.
- Cooperating with multi-axis displacement stages to search for the final angle peak.

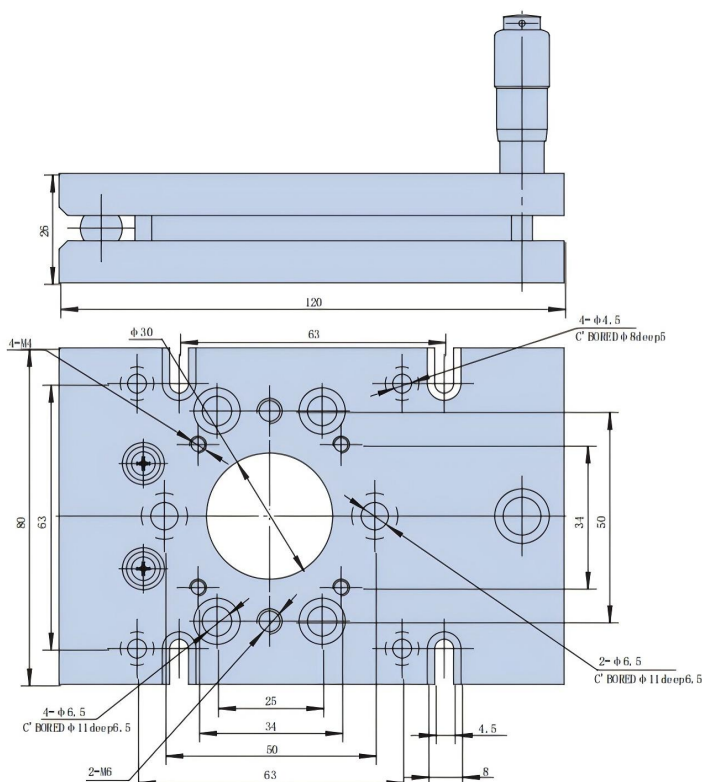
Technical Specifications

VL-TS Series: Technical Specifications

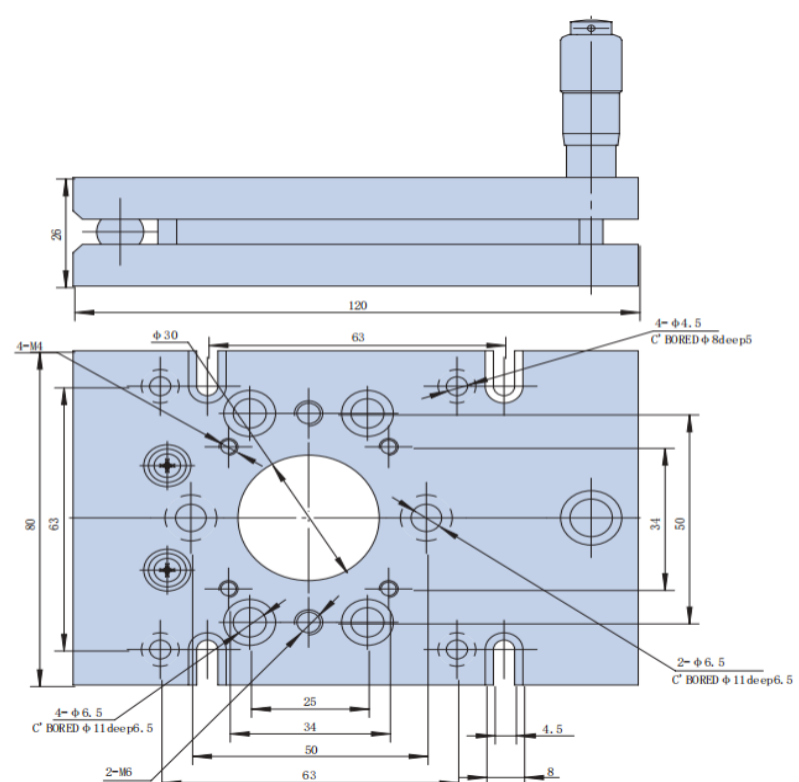
Model	Table Size	Axis	Tilt Range	Drive Type	Sensitivity	Load	Weight
VL-TS120-1M	120 x 80 mm	x (Pitch)	$\pm 3^\circ$	Micrometer Head	5'	10 kg	0.5 kg
VL-TS125-2M	125 x 75 mm	x, y (Pitch/Roll)	$\pm 5^\circ$	Micrometer Head	5'	10 kg	0.51 kg
VL-TS73-2S	73 x 68 mm	x, z (Pitch/Yaw)	$\pm 4^\circ / \pm 2^\circ$	Fine Thread Screw	-	2 kg	0.33 kg
VL-TS60-1M	60 x 60 mm	x (Pitch)	$\pm 4^\circ$	Micrometer Head	5'	4 kg	0.34 kg
VL-TS60-2M	60 x 60 mm	x, y (Pitch/Roll)	$\pm 4^\circ$	Micrometer Head	5'	4 kg	0.35 kg
VL-TS46-2S	46 x 46 mm	x, y (Pitch/Roll)	$\pm 5^\circ$	Fine Thread Screw	5'	0.5 kg	0.1 kg
VL-TS55-2S	55 x 55 mm	x, y (Pitch/Roll)	$\pm 5^\circ$	Fine Thread Screw	1°	0.5 kg	0.15 kg

Mechanical Dimensions

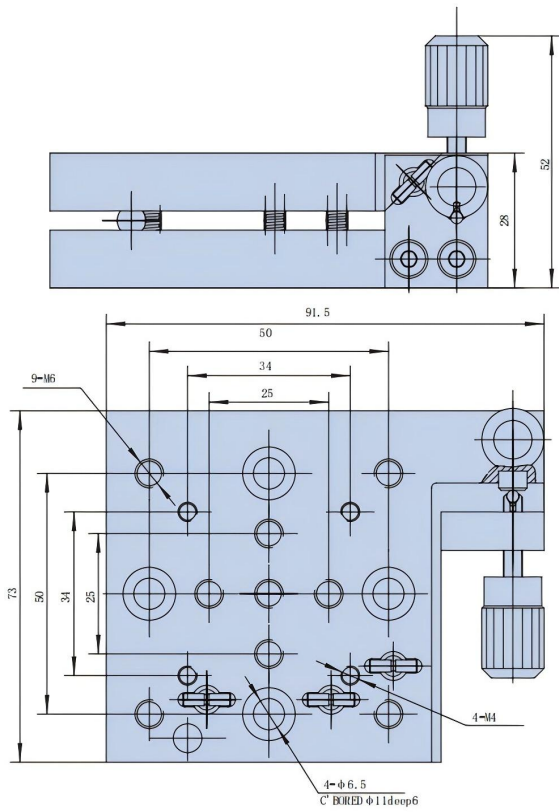
VL-TS120-1M



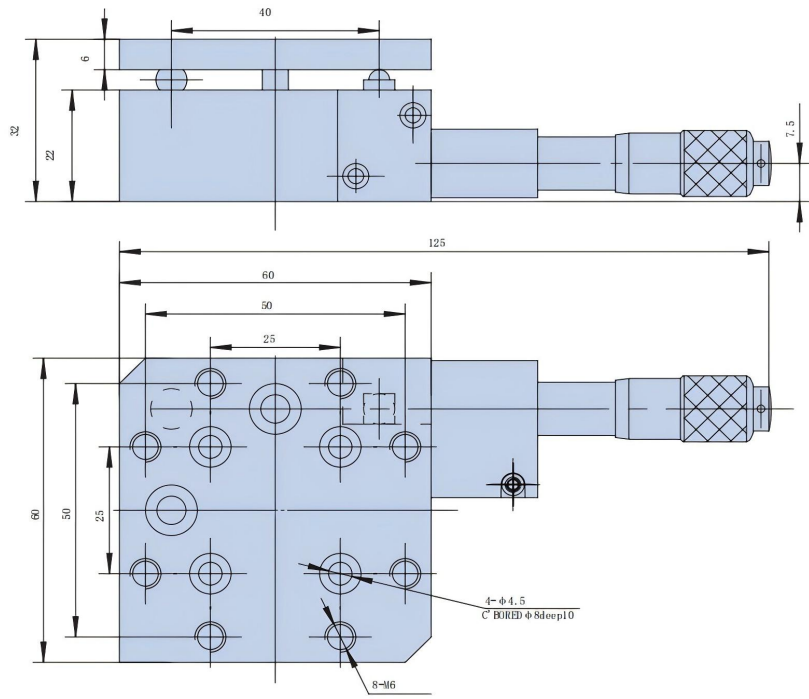
VL-TS125-2M



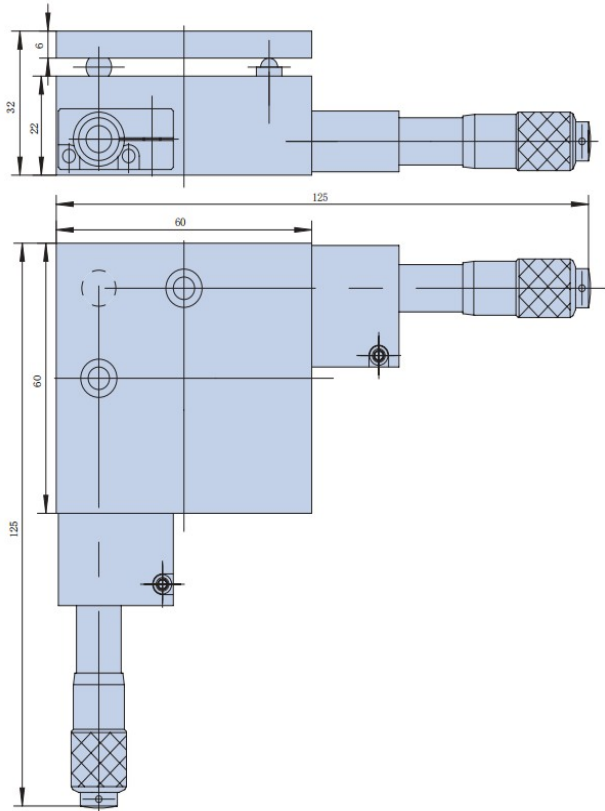
VL-TS73-2S



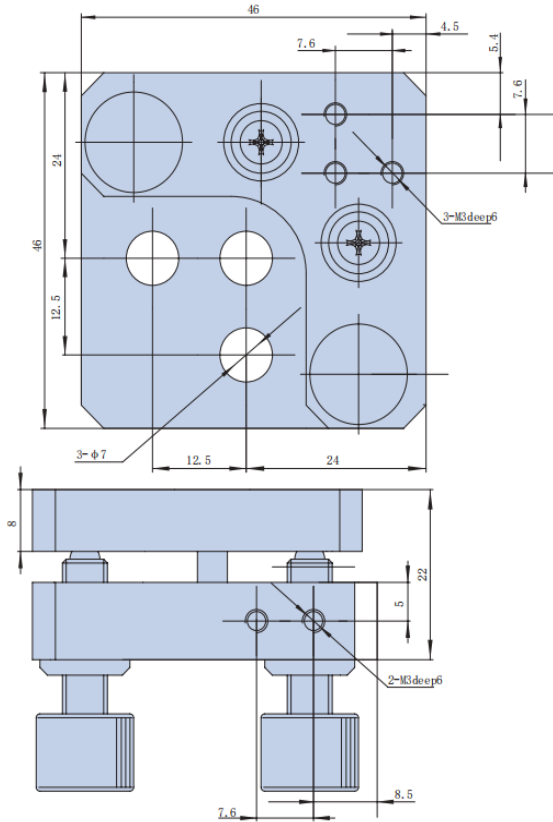
VL-TS60-1M



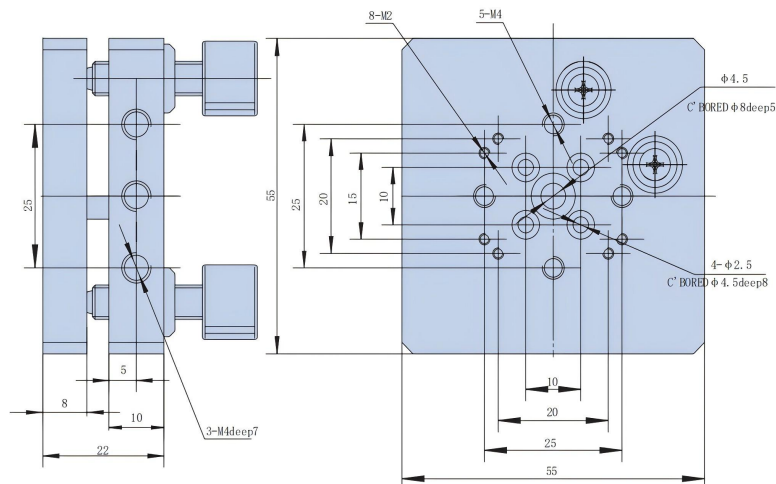
VL-TS60-2M



VL-TS46-2S



VL-TS55-2S



Service & Support

We are dedicated to delivering exceptional optoelectronic solutions to every client. From precision manufacturing and secure delivery to full-lifecycle technical support, we are here to ensure a seamless and reliable experience at every step.

1. Warranty Policy

Quality First, Worry-Free Operation

Warranty Period: We offer a **two-year** warranty service for all of our core optoelectronic products, effective from the date of shipment.

Coverage: We provide free repair or replacement services for malfunctions caused by material defects or workmanship errors under normal operating conditions.

Rapid Response: Upon receiving a warranty claim, we guarantee to initiate the assessment process within **24 hours** to minimize your equipment downtime.

2. Technical Support

Expert Team, Full-Process Guidance

Technical Consultation: Our team of senior optical engineers provides **24/7 online support** to assist with installation, commissioning, optical path alignment, and parameter optimization.

Scheduled Maintenance: We offer full-lifecycle maintenance recommendations, including firmware upgrades, optical component cleaning guidelines, and precision calibration services.

Training Services: We provide customized remote or on-site operational and safety training to ensure your team can operate the equipment efficiently and safely.

3. Logistics & Delivery

Precision Packaging, Global Reach

Professional Packaging: Given the fragile nature of optical instruments, we utilize industrial-grade shockproof, anti-static, and moisture-proof vacuum packaging to ensure zero damage during transit.

Logistics Partners: We partner with top-tier global logistics providers (**DHL / FedEx / UPS / SF Express**) to offer reliable shipping with real-time tracking.

Shipping Insurance: All shipments are fully insured to eliminate logistics risks.

4. Compliance & Certification


Strict Standards, Total Compliance

Quality Certification: Our manufacturing process is **ISO 9001 certified**, and our products comply with international standards such as **CE** and **RoHS**.

Export Compliance: "Committed to environmental responsibility, all our products comply with **RoHS 2.0** and **REACH** standards, ensuring safety and global compliance."

Explore Series

Model	Adjustment Range	Load Capacity	Stage Size	Weight
VL-TS125-2M	±5°	10 kg	125x75 mm	0.51 kg
VL-TS60-2M	±4°	4 kg	60x60 mm	0.35 kg
VL-TS46-2S	±5°	0.5 kg	46 x 46 mm	0.1 kg

 Get in touch with our team to explore configurations, request a quote, or learn more about customized solutions tailored to your needs.

Let us help you move science forward—faster and smarter.

[Get a Quote](#)



Get Expert Advice
+658099 5547 (WhatsApp)



Visit Us
www.venuslabtech.com