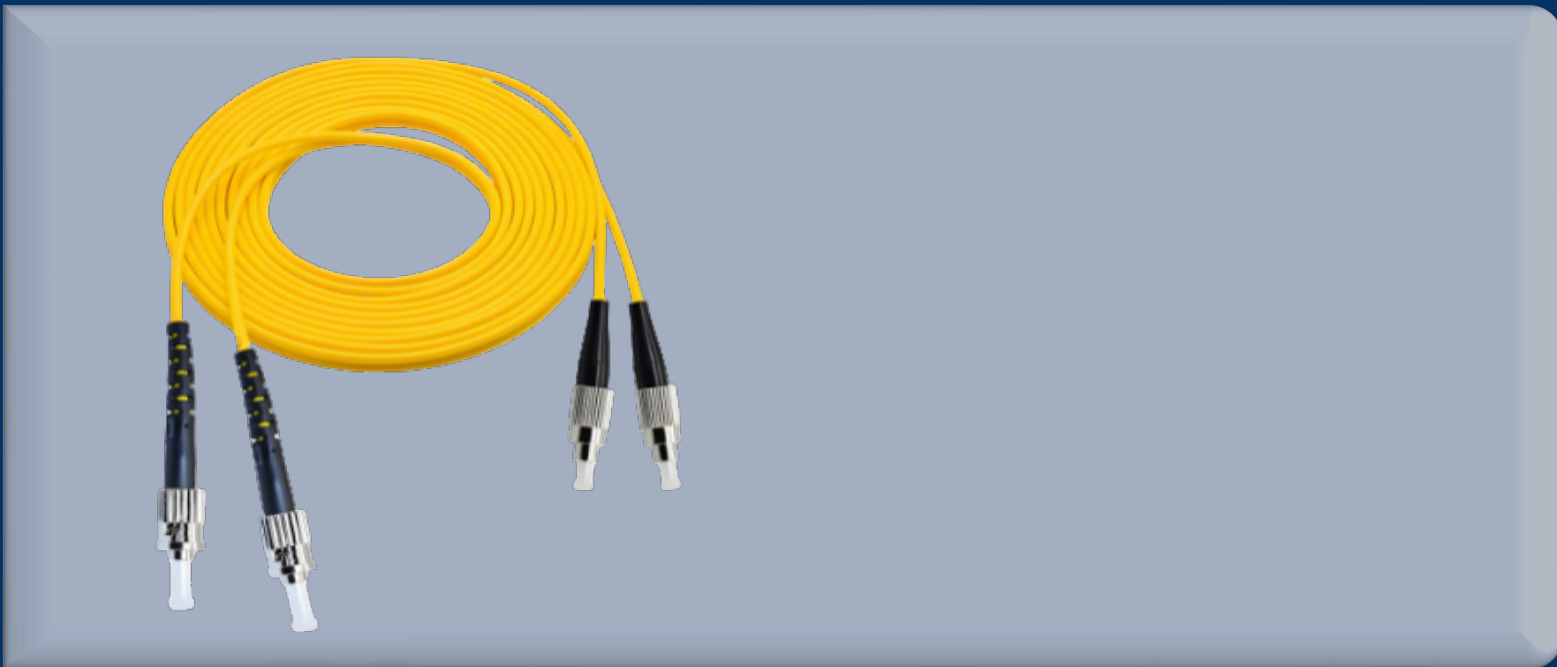


# Patchcords

## SMF Patch Cord

Precision optical connections for optocommunication devices

- Ultra-low loss transmission
- Wide-range environmental adaptability
- Flexible customization capability
- Precision structural design



## One Platform Many Possibilities

Contact Us [sales@venuslabtech.com](mailto:sales@venuslabtech.com)

Get a Quote



Get Expert Advice  
+658099 5547 ( WhatsApp )



Visit Us  
[www.venuslabtech.com](http://www.venuslabtech.com)

## Overview

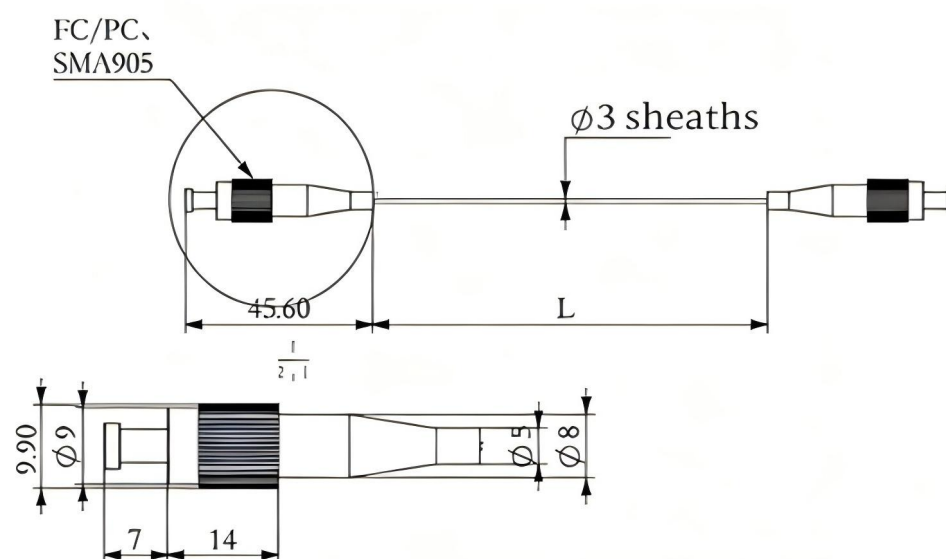
### Introduction:

The single-mode patch cord series features excellent environmental stability, high return loss, and low insertion loss, making it an ideal choice for applications such as fiber lasers and test instruments. The single-mode fiber optic patch cords are non-polarization-maintaining fiber optic patch cords, with a selectable wavelength range of 400 nm– 1600 nm. Currently, they are available in three connector types: FC/PC, FC/APC, and SMA905, and the loose tube diameter of standard fiber optic patch cords is 3 mm.

### Features:

- High return loss and low insertion loss
- Mostly used in fiber lasers and test instrument applications
- A variety of selectable wavelength ranges

### Dimension:



## Specification

Parameter	Specification	Parameter	Specification
Operating Temperature	-20 to +70	Connector Type	FC/PC (Customizable)
Fiber Length	1m (Customizable)	Mode Field Diameter	$9.2\mu\text{m} \pm 0.6\mu\text{m}$ @ 1310nm
Coating Diameter	$245.0\mu\text{m} \pm 15.0\mu\text{m}$	Cladding Diameter	$125.0\mu\text{m} \pm 1.0\mu\text{m}$
Minimum Return Loss	50dB	Maximum Insertion Loss	2.5dB
Protective Jacket Diameter	$\phi 3\text{mm}$	Maximum Optical Power	50mW

## Service & Support

We are dedicated to delivering exceptional optoelectronic solutions to every client. From precision manufacturing and secure delivery to full-lifecycle technical support, we are here to ensure a seamless and reliable experience at every step.

### 1. Warranty Policy

#### Quality First, Worry-Free Operation

**Warranty Period:** We offer a **two-year** warranty service for all of our core optoelectronic products, effective from the date of shipment.

**Coverage:** We provide free repair or replacement services for malfunctions caused by material defects or workmanship errors under normal operating conditions.

**Rapid Response:** Upon receiving a warranty claim, we guarantee to initiate the assessment process within **24 hours** to minimize your equipment downtime.

### 2. Technical Support

#### Expert Team, Full-Process Guidance

**Technical Consultation:** Our team of senior optical engineers provides **24/7 online support** to assist with installation, commissioning, optical path alignment, and parameter optimization.

**Scheduled Maintenance:** We offer full-lifecycle maintenance recommendations, including firmware upgrades, optical component cleaning guidelines, and precision calibration services.

**Training Services:** We provide customized remote or on-site operational and safety training to ensure your team can operate the equipment efficiently and safely.

### 3. Logistics & Delivery

#### Precision Packaging, Global Reach

**Professional Packaging:** Given the fragile nature of optical instruments, we utilize industrial-grade shockproof, anti-static, and moisture-proof vacuum packaging to ensure zero damage during transit.

**Logistics Partners:** We partner with top-tier global logistics providers (**DHL / FedEx / UPS / SF Express**) to offer reliable shipping with real-time tracking.

**Shipping Insurance:** All shipments are fully insured to eliminate logistics risks.

### 4. Compliance & Certification


#### Strict Standards, Total Compliance

**Quality Certification:** Our manufacturing process is **ISO 9001 certified**, and our products comply with international standards such as **CE** and **RoHS**.

**Export Compliance:** "Committed to environmental responsibility, all our products comply with **RoHS 2.0** and **REACH** standards, ensuring safety and global compliance."

## Explore Series

VLFL-SF-28E-100-FC/FC	125.0µm ± 1.0µm	1260nm	9.2µm ± 0.6µm @ 1310nm	SMF-28E	0.14	1300nm-1600nm
VLFL-SF-405HP-100-FC/FC	125.0µm ± 1.0µm	370nm± 20nm	3.5µm ± 0.5µm @ 515nm	Nufern 405-HP	0.13	400nm-550nm
VLFL-SF-460HP-100-FC/FC	125.0µm ± 1.0µm	430nm± 20nm	3.5µm ± 0.5µm @ 515nm	Nufern 460-HP	0.13	450nm-600nm
VLFL-SF-630HP-100-FC/FC	125.0µm ± 1.5µm	570nm± 30nm	4.0µm ± 0.5µm @ 630nm	Nufern 630-HP	0.13	600nm-770nm
VLFL-SF-780HP-100-FC/FC	125.0µm ± 1.5µm	730nm± 30nm	5.0µm ± 0.5µm @ 850nm	Nufern 780-HP	0.13	780nm-970nm

 Get in touch with our team to explore configurations, request a quote, or learn more about customized solutions tailored to your needs.

Let us help you move science forward—faster and smarter.

[Get a Quote](#)



Get Expert Advice  
+658099 5547 ( WhatsApp )



Visit Us  
[www.venuslabtech.com](http://www.venuslabtech.com)