

Avalanche Photodiode

Si-APD-Fix-G AV Photodetector

Silicon material photoelectric detection equipment

- High sensitivity and fixed gain
- Good compatibility
- Excellent performance and high cost-effectiveness



One Platform Many Possibilities

Contact Us sales@venuslabtech.com

Get a Quote



Get Expert Advice
+65 8099 5547

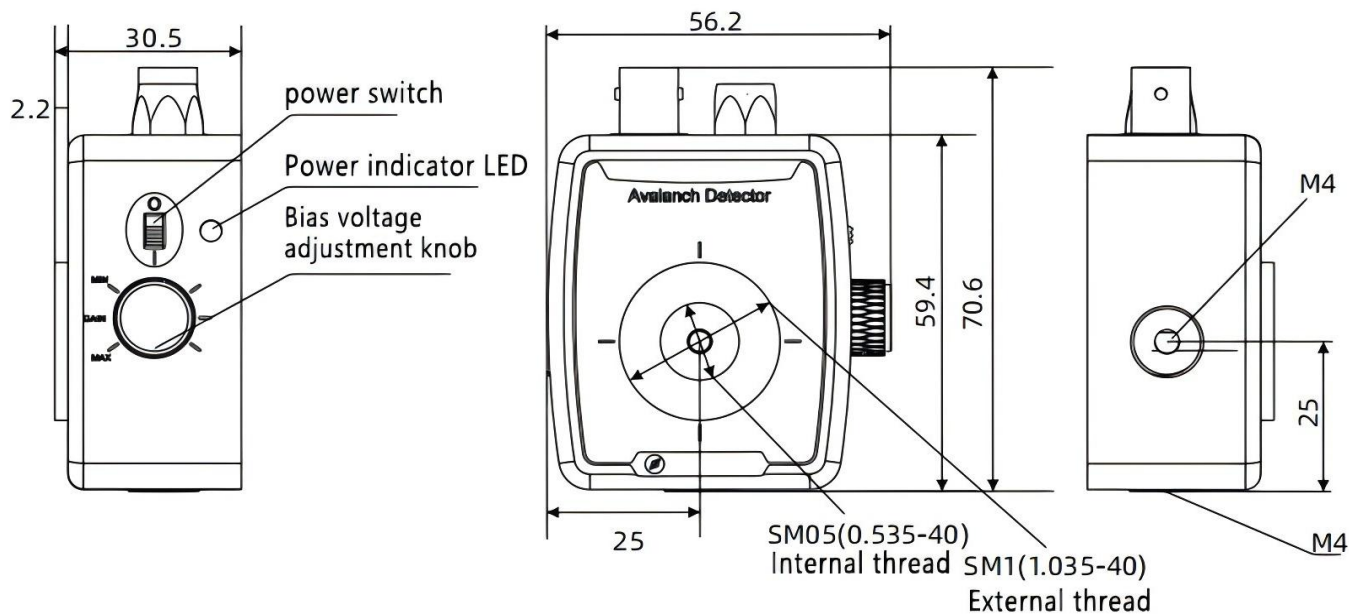


Visit Us
www.venuslabtech.com

Overview

Introduction and dimension drawing of the Si-APD-Fix-G AV PHOTODETECTOR product:

This product is a silicon detector based on the avalanche effect. The APD enhances the photoelectric conversion gain through the avalanche effect, featuring high sensitivity, making it suitable for weak light signal detection. Its photosensitive range covers 200nm to 1000nm, and it is often used in visible light and near-infrared light measurement. As an amplifying detector, it has a fixed gain, enabling quantitative photoelectric conversion. Moreover, it is seamlessly compatible with the same type of products from THORLABS, with excellent performance and high cost-effectiveness. It also provides comprehensive technical support and non-standard customization services.



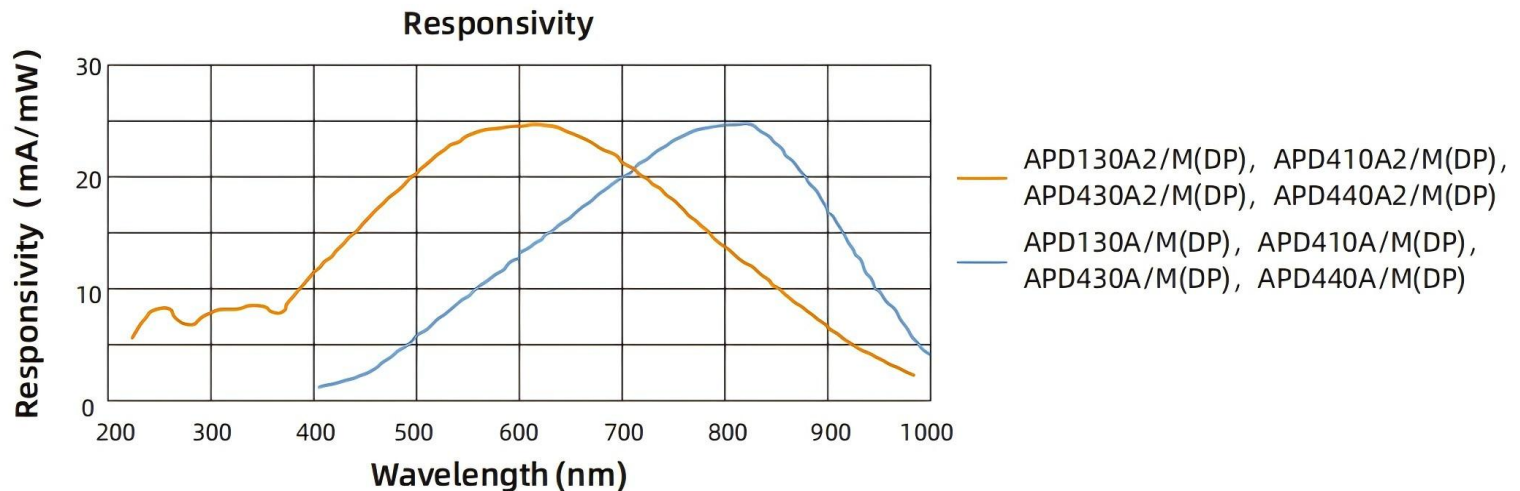
Specifications

Parameter Table:

Parameter Name	Parameter Details
Spectral Response Range	200~1000nm (some models cover 400~1000nm)
Detector Material	Silicon (Si)
Detector Type	Amplified, Fixed Gain Avalanche Photodetector (APD)
Detector Net Weight	0.1kg
Operating Temperature	0~40
Storage Temperature	-40~70
Appearance Size	2.78" X 2.21" X 1.20" (70.6 mm X 56.2 mm X 30.5 mm)
Power Supply Interface	Power Switch: Slide switch with LED indicator; Signal Interface: BNC female connector; Gain Adjustment: Single-turn potentiometer; Support Rod Interface: M4 X 2; Optical Interface: SM1 X 1, SM0.5 X 1

Responsivity

Responsivity Diagram of the Si-APD-Fix-G Series



Service & Support

We are dedicated to delivering exceptional optoelectronic solutions to every client. From precision manufacturing and secure delivery to full-lifecycle technical support, we are here to ensure a seamless and reliable experience at every step.

1. Warranty Policy

Quality First, Worry-Free Operation

Warranty Period: We offer a **two-year** warranty service for all of our core optoelectronic products, effective from the date of shipment.

Coverage: We provide free repair or replacement services for malfunctions caused by material defects or workmanship errors under normal operating conditions.

Rapid Response: Upon receiving a warranty claim, we guarantee to initiate the assessment process within **24 hours** to minimize your equipment downtime.

2. Technical Support

Expert Team, Full-Process Guidance

Technical Consultation: Our team of senior optical engineers provides **24/7 online support** to assist with installation, commissioning, optical path alignment, and parameter optimization.

Scheduled Maintenance: We offer full-lifecycle maintenance recommendations, including firmware upgrades, optical component cleaning guidelines, and precision calibration services.

Training Services: We provide customized remote or on-site operational and safety training to ensure your team can operate the equipment efficiently and safely.

3. Logistics & Delivery

Precision Packaging, Global Reach

Professional Packaging: Given the fragile nature of optical instruments, we utilize industrial-grade shockproof, anti-static, and moisture-proof vacuum packaging to ensure zero damage during transit.

Logistics Partners: We partner with top-tier global logistics providers (**DHL / FedEx / UPS / SF Express**) to offer reliable shipping with real-time tracking.

Shipping Insurance: All shipments are fully insured to eliminate logistics risks.

4. Compliance & Certification


Strict Standards, Total Compliance

Quality Certification: Our manufacturing process is **ISO 9001 certified**, and our products comply with international standards such as **CE** and **RoHS**.

Export Compliance: "Committed to environmental responsibility, all our products comply with **RoHS 2.0** and **REACH** standards, ensuring safety and global compliance."

Explore Series

Model	Fixed Gain (Hi-Z Load)	APD Gain M	Response Time Constant	Bandwidth Range
APD130A2/M(DP)	100kV/A	50	7ns	DC~50MHz
APD130A/M(DP)	100kV/A	50	7ns	DC~50MHz
APD410A2/M(DP)	500kV/A	5-50	35ns	DC~10MHz
APD410A/M(DP)	500kV/A	10-100	35ns	DC~10MHz
APD430A2/M(DP)	10kV/A	10-100	876ps	DC~400MHz
APD430A/M(DP)	10kV/A	10-100	876ps	DC~400MHz
APD440A2(DP)	50MV/A	5-50	3.5μs	DC~0.1MHz
APD440A(DP)	50MV/A	10-100	3.5μs	DC~0.1MHz

 Get in touch with our team to explore configurations, request a quote, or learn more about customized solutions tailored to your needs.

Let us help you move science forward—faster and smarter.

[Get a Quote](#)



Get Expert Advice
+658099 5547 (WhatsApp)



Visit Us
www.venuslabtech.com