

Patchcords

MMF Patch Cord

Short-reach optical communication scenarios

- High-efficiency optical coupling design
- Low-loss transmission performance
- Flexible customization capability
- Wide-temperature environmental adaptability



One Platform Many Possibilities

Contact Us sales@venuslabtech.com

Get a Quote



Get Expert Advice
+658099 5547 (WhatsApp)



Visit Us
www.venuslabtech.com

Overview

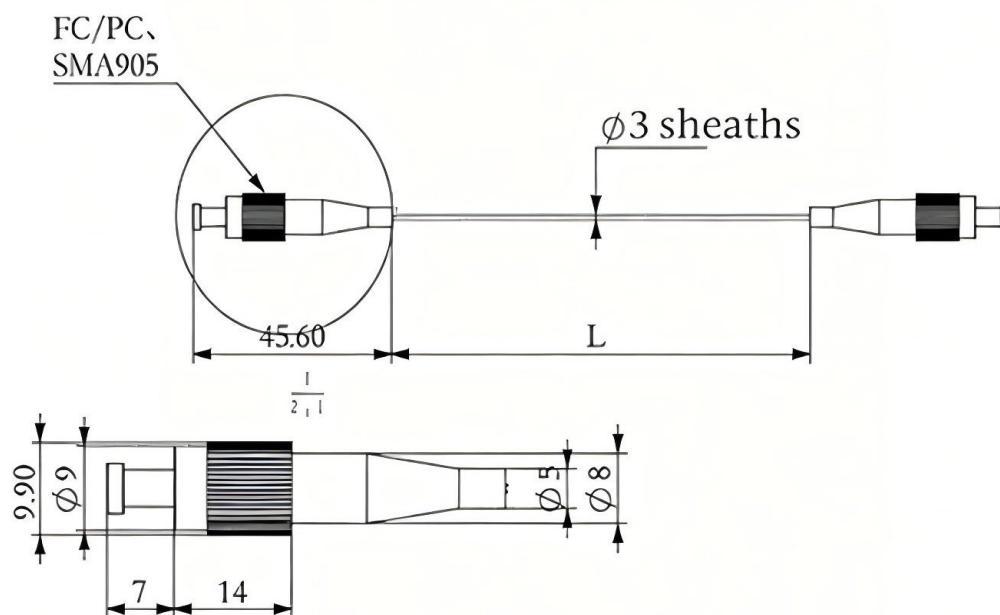
Introduction:

Multi-mode fiber optic patch cords feature good coupling performance, high light transmittance, and excellent anti-fatigue properties. These are step-index fiber patch cords with a wavelength range of 400 nm-1200 nm. Currently, two connector types are available: FC/PC and SMA. The loose tube diameter of standard fiber optic patch cords is 3 mm.

Features:

- Good coupling performance and high light transmittance
- High return loss
- Multiple core diameters available

Dimension:



Specification

Parameter	Specification	Parameter	Specification
Operating Temperature	-20 to +70	Connector Type	FC/PC (Customizable)
Fiber Length	1m (Customizable)	Protective Jacket Diameter	ø3mm

Service & Support

We are dedicated to delivering exceptional optoelectronic solutions to every client. From precision manufacturing and secure delivery to full-lifecycle technical support, we are here to ensure a seamless and reliable experience at every step.

1. Warranty Policy

Quality First, Worry-Free Operation

Warranty Period: We offer a **two-year** warranty service for all of our core optoelectronic products, effective from the date of shipment.

Coverage: We provide free repair or replacement services for malfunctions caused by material defects or workmanship errors under normal operating conditions.

Rapid Response: Upon receiving a warranty claim, we guarantee to initiate the assessment process within **24 hours** to minimize your equipment downtime.

2. Technical Support

Expert Team, Full-Process Guidance

Technical Consultation: Our team of senior optical engineers provides **24/7 online support** to assist with installation, commissioning, optical path alignment, and parameter optimization.

Scheduled Maintenance: We offer full-lifecycle maintenance recommendations, including firmware upgrades, optical component cleaning guidelines, and precision calibration services.

Training Services: We provide customized remote or on-site operational and safety training to ensure your team can operate the equipment efficiently and safely.

3. Logistics & Delivery

Precision Packaging, Global Reach

Professional Packaging: Given the fragile nature of optical instruments, we utilize industrial-grade shockproof, anti-static, and moisture-proof vacuum packaging to ensure zero damage during transit.

Logistics Partners: We partner with top-tier global logistics providers (**DHL / FedEx / UPS / SF Express**) to offer reliable shipping with real-time tracking.

Shipping Insurance: All shipments are fully insured to eliminate logistics risks.

4. Compliance & Certification


Strict Standards, Total Compliance

Quality Certification: Our manufacturing process is **ISO 9001 certified**, and our products comply with international standards such as **CE** and **RoHS**.

Export Compliance: "Committed to environmental responsibility, all our products comply with **RoHS 2.0** and **REACH** standards, ensuring safety and global compliance."

Explore Series

Model	Cladding Diameter	Coating Diameter	Core Diameter	Fiber Type	Numerical Aperture	Wavelength Range
VLFL-MF-40-0.22-100-FC/FC	124.7µm ±1.0µm	242.0µm±5.0µm	40.0µm±3.0µm	40/125	0.22	400nm-1200nm
VLFL-MF-50-0.22-100-FC/FC	124.7µm ±1.0µm	242.0µm±5.0µm	50.0µm±2.5µm	UV50/125	0.22	400nm-1200nm
VLFL-MF-60-0.22-100-FC/FC	124.7µm ±1.0µm	242.0µm±5.0µm	60.0µm±2.5µm	UV60/125	0.22	400nm-1200nm
VLFL-MF-105-0.22-100-FC/FC	124.7µm ±1.0µm	242.0µm±5.0µm	105.0µm±3.0µm	UV105/125	0.22	400nm-1200nm

 Get in touch with our team to explore configurations, request a quote, or learn more about customized solutions tailored to your needs.

Let us help you move science forward—faster and smarter.

[Get a Quote](#)



Get Expert Advice
+658099 5547 (WhatsApp)



Visit Us
www.venuslabtech.com