

Optical Mounts

VL Beamsplitter Mount

High-precision adjustment components for optical lenses

- Dual-axis fine adjustment, high sensitivity for Tip/Tilt
- Non-destructive clamping, no stress deformation
- High rigidity, shock resistance and anti-drift
- Metric/imperial holes, full platform adaptation



One Platform Many Possibilities

Contact Us sales@venuslabtech.com

Get a Quote



Get Expert Advice
+658099 5547 (WhatsApp)



Visit Us
www.venuslabtech.com

Overview

Precise positioning, stable light splitting

A high-rigidity adjustment frame specially designed for beam splitters. Combining a high-precision biaxial fine-tuning mechanism and a stress-free clamping system, it achieves micron-level control and long-term stability of the lens attitude, and is a core basic component for constructing complex beam splitting optical paths.

Applications

- Interferometry: Construction of the core optical path of interferometers.
- Spectral analysis: Beam splitting and guiding in precision instruments.
- Quantum optics: High-precision beam splitting in complex experimental systems.
- Laser processing: Industrial-grade laser collimation and beam splitting.

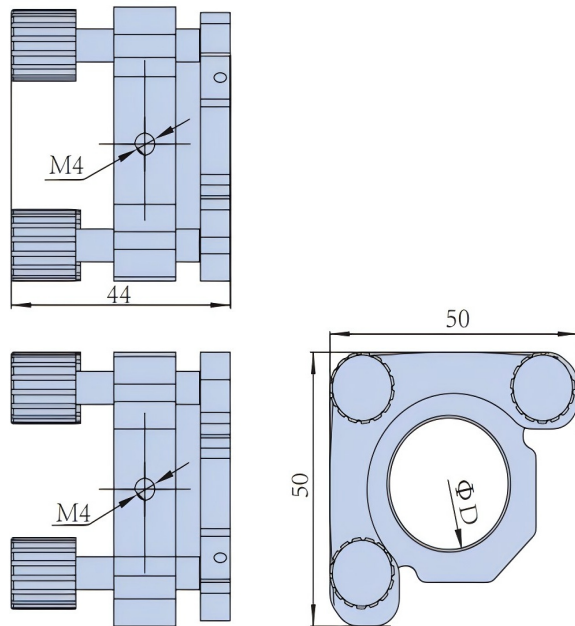
Technical Specifications

VenusLab SKU	Size / Aperture	Adjustment Range / Travel	Drive & Reset Mechanism	Key Features
VL-BSM-100-20	20 mm	Tip/Tilt	M6x0.25, Disc Spring	L-shaped structure, adjustable reset force
VL-BSM-100-25	25.4 mm	Tip/Tilt	M6x0.25, Disc Spring	L-shaped structure, adjustable reset force
VL-BSM-100-30	30 mm	Tip/Tilt	M6x0.25, Disc Spring	L-shaped structure, adjustable reset force
VL-BSM-100-38	38.1 mm	Tip/Tilt	M6x0.25, Disc Spring	L-shaped structure, adjustable reset force
VL-BSM-100-40	40 mm	Tip/Tilt	M6x0.25, Disc Spring	L-shaped structure, adjustable reset force
VL-BSM-100-50	50.8 mm	Tip/Tilt	M6x0.25, Disc Spring	L-shaped structure, adjustable reset force
VL-BSM-110-20	20 mm	Tip/Tilt	M6x0.25, Disc Spring	Right-angle enclosed, 2 mounting holes
VL-BSM-110-25	25.4 mm	Tip/Tilt	M6x0.25, Disc Spring	Right-angle enclosed, 2 mounting holes
VL-BSM-110-30	30 mm	Tip/Tilt	M6x0.25, Disc Spring	Right-angle enclosed, 2 mounting holes
VL-BSM-110-38	38.1 mm	Tip/Tilt	M6x0.25, Disc Spring	Right-angle enclosed, 2 mounting holes
VL-BSM-110-40	40 mm	Tip/Tilt	M6x0.25, Disc Spring	Right-angle enclosed, 2 mounting holes
VL-BSM-110-50	50.8 mm	Tip/Tilt	M6x0.25, Disc Spring	Right-angle enclosed, 2 mounting holes
VL-BSM-120-20	20 mm	Tip/Tilt	M6x0.25, Disc Spring	Top adjustment, space-saving design
VL-BSM-120-25	25.4 mm	Tip/Tilt	M6x0.25, Disc Spring	Top adjustment, space-saving design
VL-BSM-120-30	30 mm	Tip/Tilt	M6x0.25, Disc Spring	Top adjustment, space-saving design
VL-BSM-130-10	10 mm (A=10)	Tip/Tilt	M6x0.25, Disc Spring	Lens tube mount, Teflon protection
VL-BSM-130-15	15 mm (A=15)	Tip/Tilt	M6x0.25, Disc Spring	Lens tube mount, Teflon protection
VL-BSM-130-30	30 mm (A=30)	Tip/Tilt	M6x0.25, Disc Spring	Lens tube mount, Teflon protection
VL-BSM-130-45	45 mm (A=45)	Tip/Tilt	M6x0.25, Disc Spring	Lens tube mount, Teflon protection
VL-BSM-130-50	50 mm (A=50)	Tip/Tilt	M6x0.25, Disc Spring	Lens tube mount, Teflon protection
VL-BSM-03-70	70 mm	Tip/Tilt	M6x0.25, Disc Spring	3-point PTFE support, large aperture protection
VL-BSM-03-76	76 mm	Tip/Tilt	M6x0.25, Disc Spring	3-point PTFE support, large aperture protection
VL-BSM-03-100	100 mm	Tip/Tilt	M6x0.25, Disc Spring	3-point PTFE support, large aperture protection
VL-BSM-OBJ	WJ4/5"-1/36" Thread	Tip/Tilt	M6x0.25, Disc Spring	Standard microscope objective thread

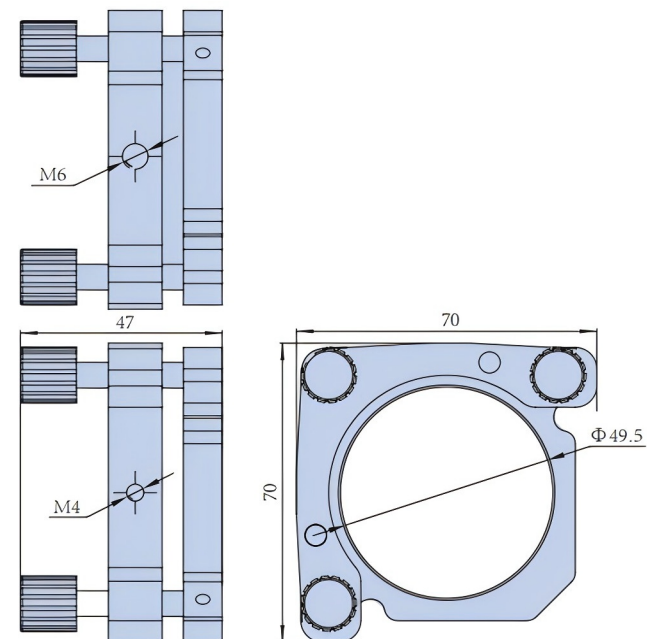
VL-BSM-M31-20	20 mm Clamp	Travel ± 9 mm, Rotation 360°	Worm Gear + Precision Screw	Compound adjustment, with locking mechanism
VL-BSM-M42-20	20 mm	X-axis 13mm, Z-axis ± 2 mm, Tip/Tilt $\pm 4^\circ$	Precision Screw Drive	Multi-axis adjustment, locking screw sleeve
VL-BSM-M43-30	30 mm	X/Y-axis 13mm, Tip/Tilt	Precision Screw Drive	4-axis adjustment, suits various aperture combos
VL-BSM-M51-10	10 mm (Mounting)	Ty/Tz ± 2.5 mm, y/ z $\pm 4^\circ$	2-Stage Ultra-Precision	Res. $0.01 \mu\text{m}$, excellent anti-drift
VL-BSM-M41-15	15 mm / 20mm	Travel ± 2 mm, Tilt $\pm 4^\circ$	M6x0.25, Disc Spring	Threaded ring clamp, anti-vibration
VL-BSM-T72	20x20 mm Platform	1-Axis Translation	Top screw adjustment	Stainless steel, ultra-thin space-saving
VL-BSM-ORT-38	12.7 - 38.1 mm	Orthogonal Adjustment	Rigid ball and module	Lateral drive, clear optical path, with lock
VL-BSM-REC-50	120 x 50 mm Window	Tip/Tilt	M6x0.25, Disc Spring	Rectangular frame, for large/combined optics
VL-BSM-REC-75	120 x 75 mm Window	Tip/Tilt	M6x0.25, Disc Spring	Rectangular frame, for large/combined optics
VL-BSM-REC-90	120 x 90 mm Window	Tip/Tilt	M6x0.25, Disc Spring	Rectangular frame, for large/combined optics

Structural Diagram

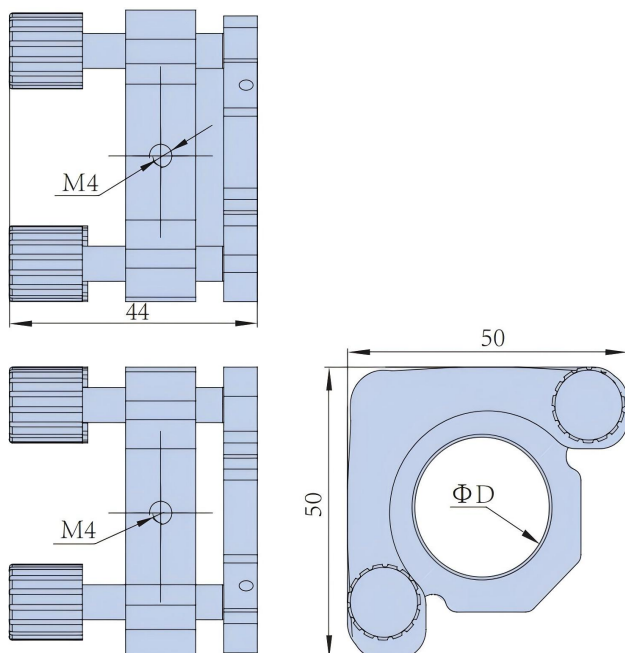
VL-BSM-100-20, VL-BSM-100-25, VL-BSM-100-30



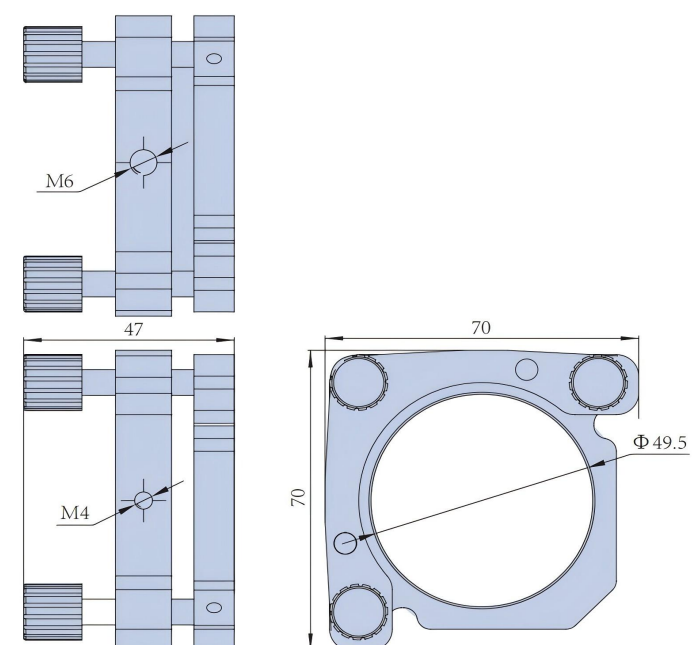
VL-BSM-100-38, VL-BSM-100-40, VL-BSM-100-50



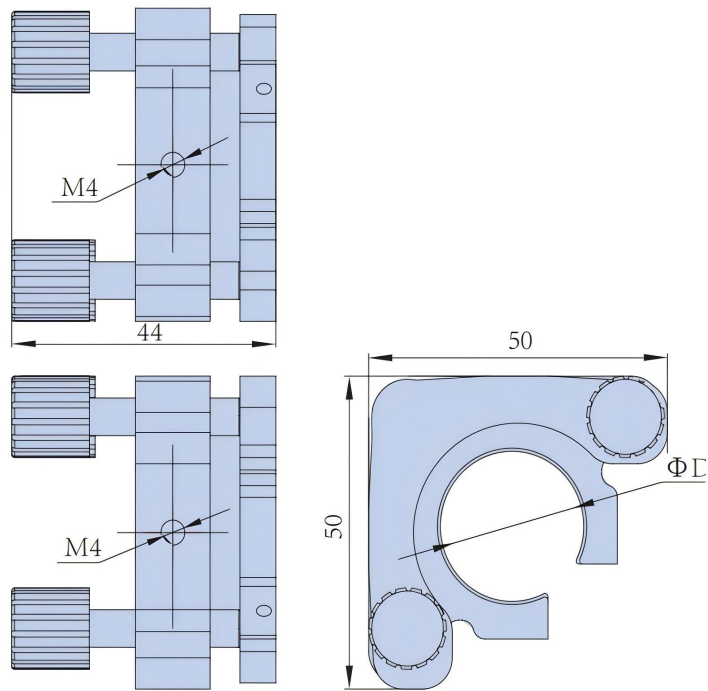
VL-BSM-110-20, VL-BSM-110-25, VL-BSM-110-30



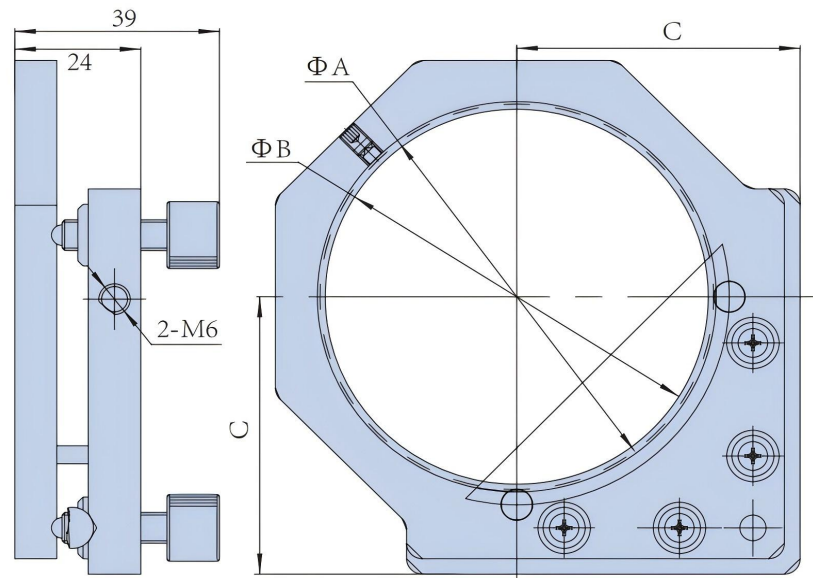
VL-BSM-110-38, VL-BSM-110-40, VL-BSM-110-50



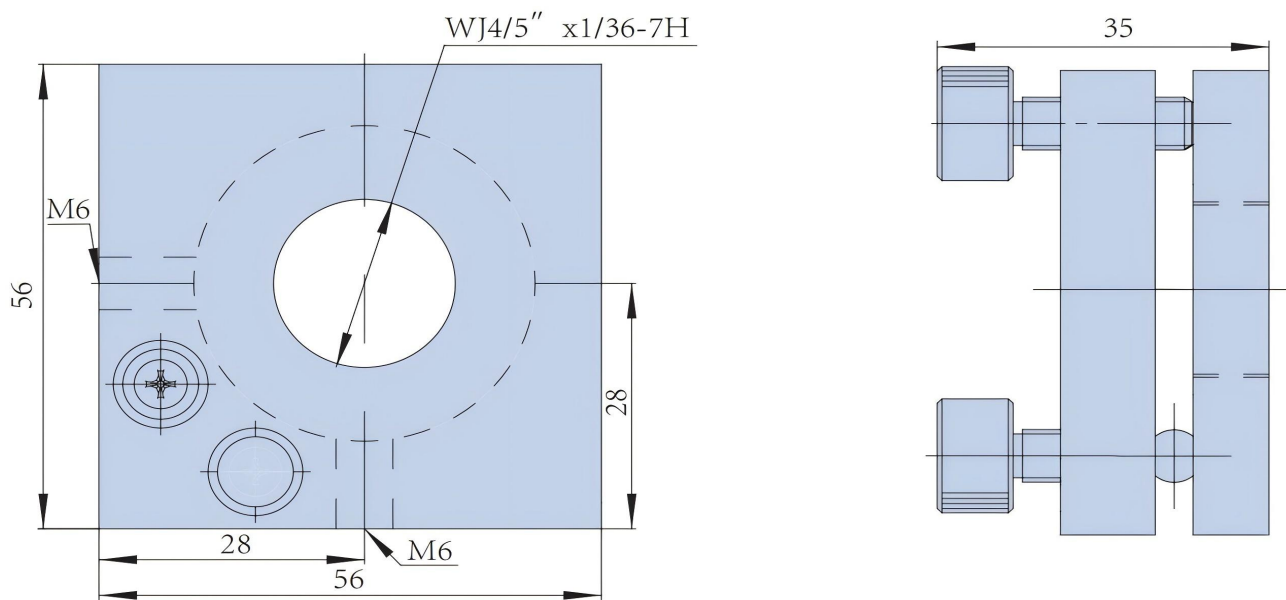
VL-BSM-120-20, VL-BSM-120-25, VL-BSM-120-30



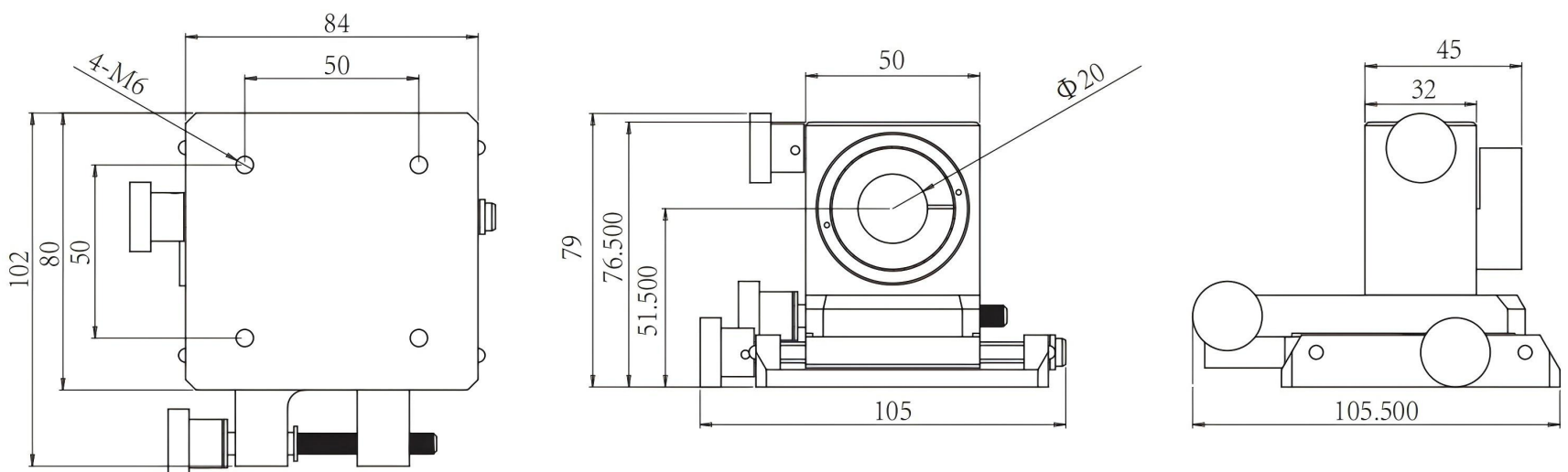
VL-BSM-03-70, VL-BSM-03-76, VL-BSM-03-100



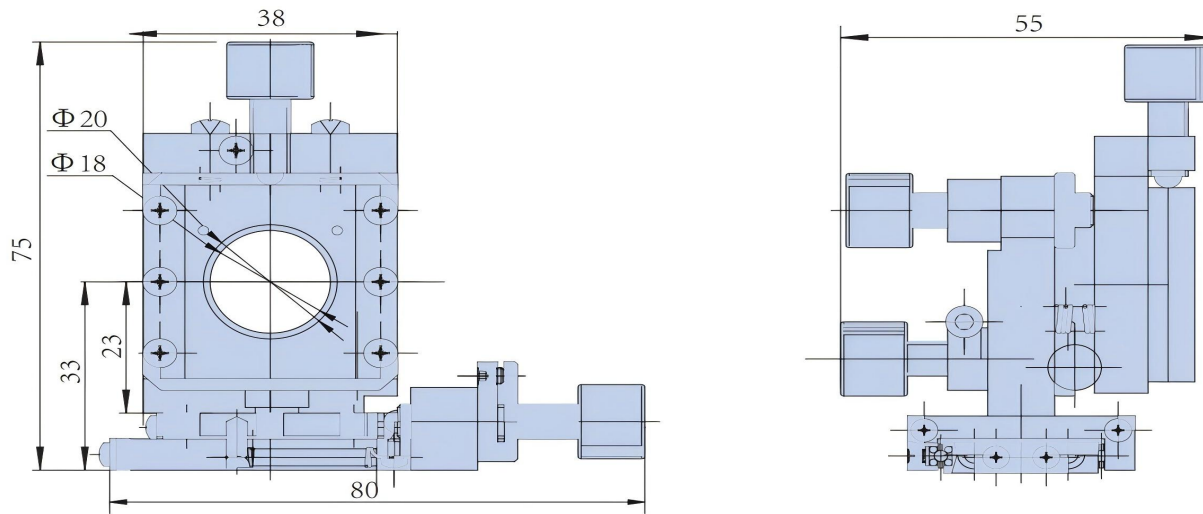
VL-BSM-OBJ



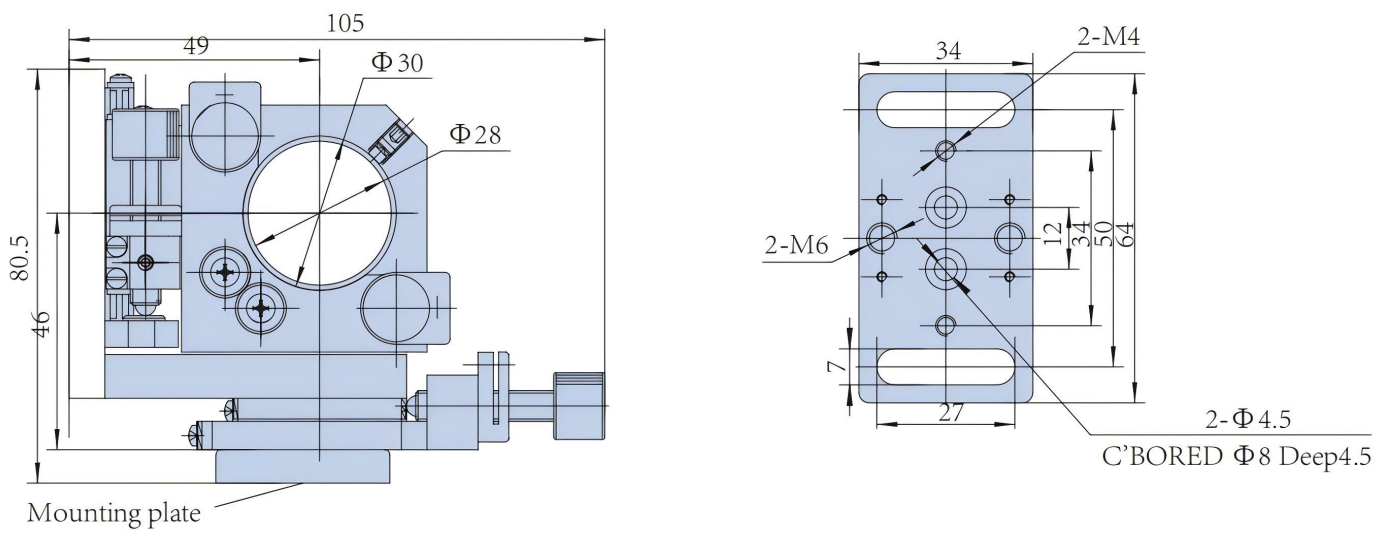
VL-BSM-M31-20



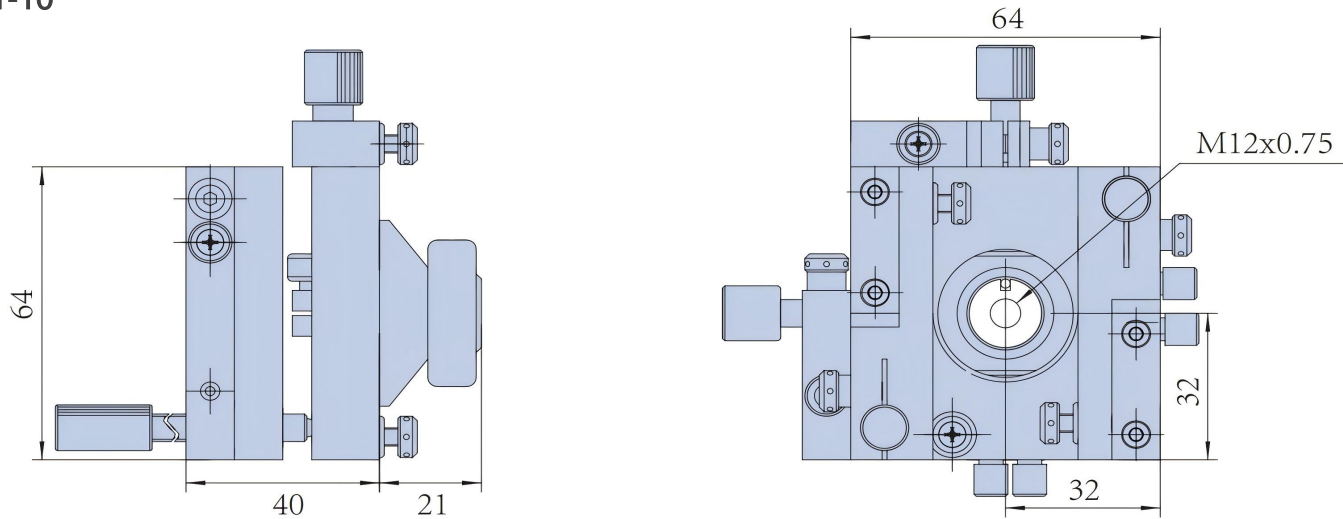
VL-BSM-M42-20



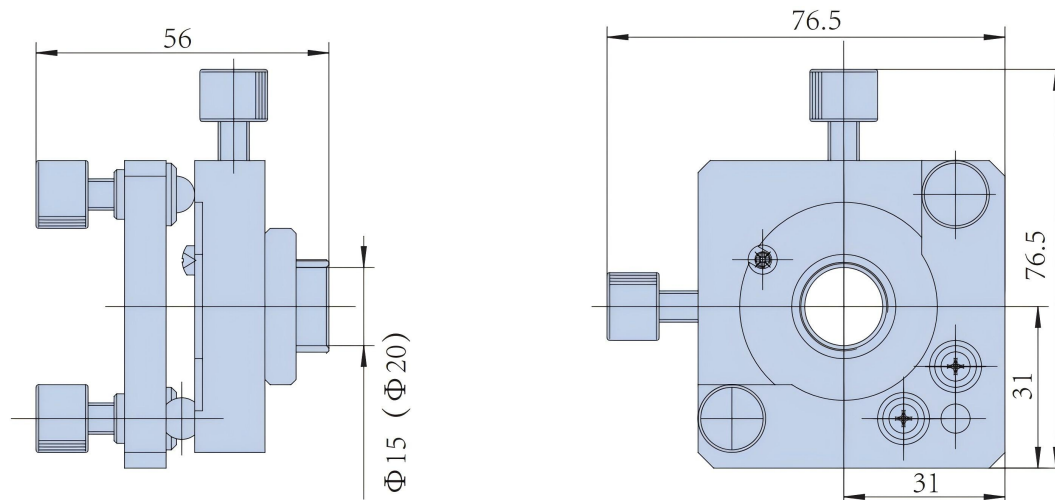
VL-BSM-M43-30



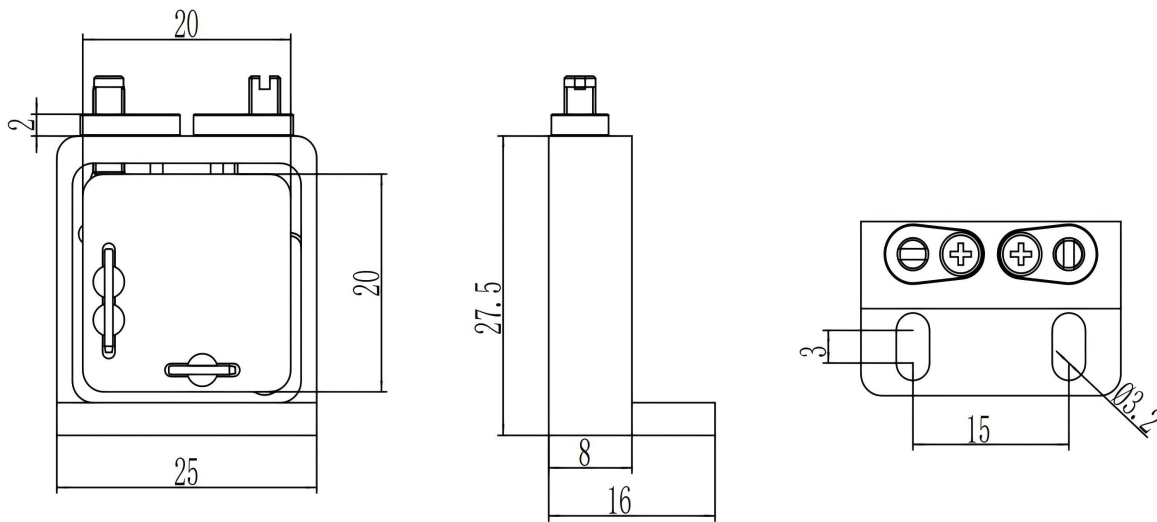
VL-BSM-M51-10



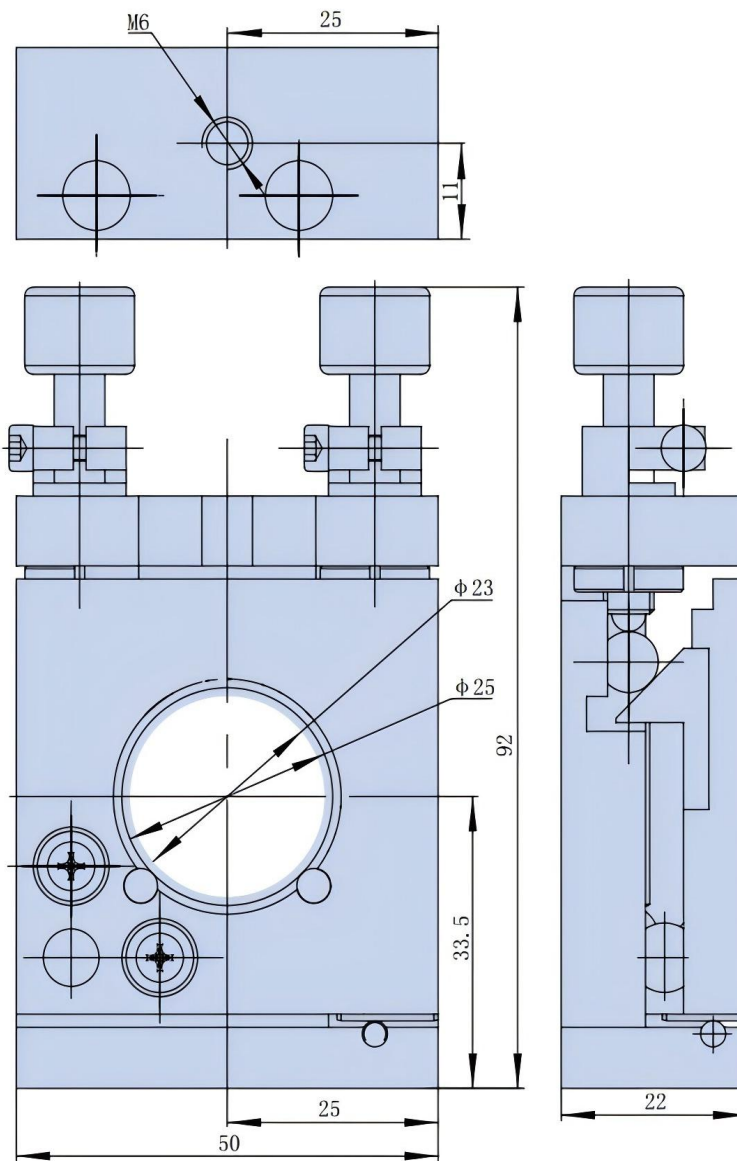
VL-BSM-M41-15



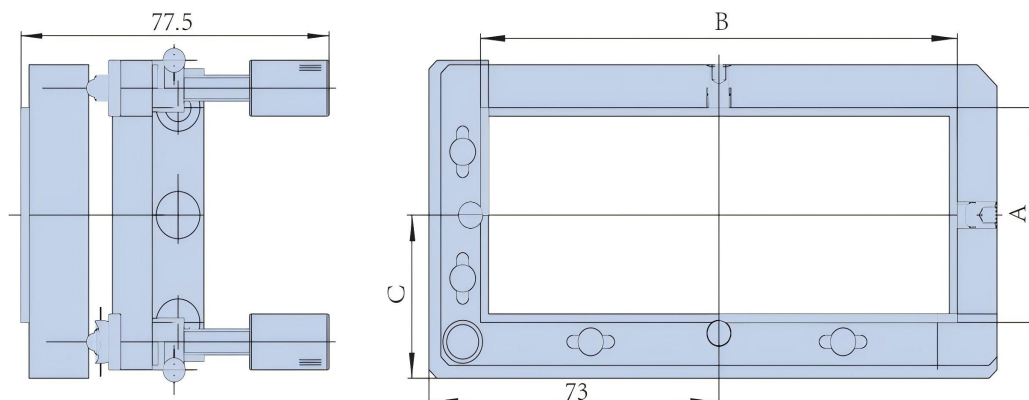
VL-BSM-T72



VL-BSM-ORT-38



VL-BSM-REC-50, VL-BSM-REC-75, VL-BSM-REC-90



Service & Support

We are dedicated to delivering exceptional optoelectronic solutions to every client. From precision manufacturing and secure delivery to full-lifecycle technical support, we are here to ensure a seamless and reliable experience at every step.

1. Warranty Policy

Quality First, Worry-Free Operation

Warranty Period: We offer a **two-year** warranty service for all of our core optoelectronic products, effective from the date of shipment.

Coverage: We provide free repair or replacement services for malfunctions caused by material defects or workmanship errors under normal operating conditions.

Rapid Response: Upon receiving a warranty claim, we guarantee to initiate the assessment process within **24 hours** to minimize your equipment downtime.

2. Technical Support

Expert Team, Full-Process Guidance

Technical Consultation: Our team of senior optical engineers provides **24/7 online support** to assist with installation, commissioning, optical path alignment, and parameter optimization.

Scheduled Maintenance: We offer full-lifecycle maintenance recommendations, including firmware upgrades, optical component cleaning guidelines, and precision calibration services.

Training Services: We provide customized remote or on-site operational and safety training to ensure your team can operate the equipment efficiently and safely.

3. Logistics & Delivery

Precision Packaging, Global Reach

Professional Packaging: Given the fragile nature of optical instruments, we utilize industrial-grade shockproof, anti-static, and moisture-proof vacuum packaging to ensure zero damage during transit.

Logistics Partners: We partner with top-tier global logistics providers (**DHL / FedEx / UPS / SF Express**) to offer reliable shipping with real-time tracking.

Shipping Insurance: All shipments are fully insured to eliminate logistics risks.

4. Compliance & Certification


Strict Standards, Total Compliance

Quality Certification: Our manufacturing process is **ISO 9001 certified**, and our products comply with international standards such as **CE** and **RoHS**.

Export Compliance: "Committed to environmental responsibility, all our products comply with **RoHS 2.0** and **REACH** standards, ensuring safety and global compliance."

Explore Series

Model	Translation Range	Optic Size / Mounting
VL-BSM-100-25	N/A	25.4 mm
VL-BSM-M51-10	Tx: 6mm, Ty/Tz: ±2.5mm	M12x0.75 Threaded Hole
VL-BSM-M42-20	X-axis: 13mm, Z-axis: ±2mm	20 mm
VL-BSM-ORT-71	N/A	12.7 - 38.1 mm

 Get in touch with our team to explore configurations, request a quote, or learn more about customized solutions tailored to your needs.

Let us help you move science forward—faster and smarter.

[Get a Quote](#)



Get Expert Advice
+658099 5547 (WhatsApp)



Visit Us
www.venuslabtech.com