

Optical Lens

SFS Plano-Convex Lens

UV-Grade Fused Silica (SFS) Plano-Convex Lenses

- Premium Substrate
- Precision Surface Quality
- High Damage Threshold
- Tight Tolerances



One Platform Many Possibilities

Contact Us sales@venuslabtech.com

Get a Quote



Get Expert Advice
+658099 5547 (WhatsApp)



Visit Us
www.venuslabtech.com

Overview

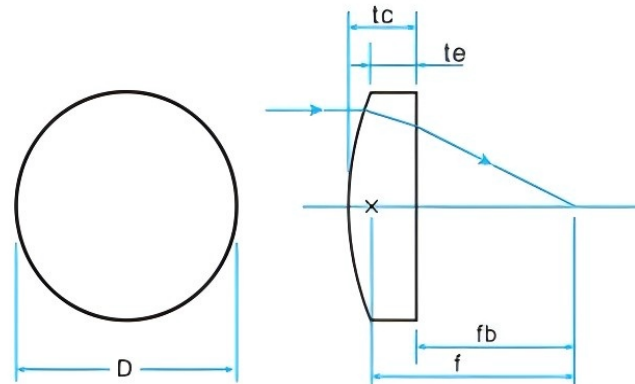
Premium UV fused silica lenses designed for demanding laser and imaging applications.

VenusLab Fused Silica (SFS) Plano-Convex Lenses are manufactured from high-purity UV Fused Silica (JGS1) or Corning 7980 substrates.

These lenses offer superior transmission from the ultraviolet (UV) to the near-infrared (NIR) range.

Featuring a surface quality of 40-20 and exceptional thermal stability, they are the ideal solution for high-power laser collimation, UV focusing, and applications requiring high resistance to thermal shock and scratches.

Dimension:



Qualification

SFS Plano-Convex Lens Specifications

Parameter	Specification
Material	Synthetic Fused Silica (JGS1 UV Grade)
Shape	Plano-Convex
Design Wavelength	546.1 nm (n=1.460)
Surface Quality	40-20 Scratch-Dig
Clear Aperture	> 90%
Centration	3' (Standard) / 1' (High Precision)
Chamfer	0.25 mm x 45°
Dimension Tolerance	Diameter: +0.0/-0.1 mm; Thickness: ±0.1 mm
Focal Length Tolerance	±1%

Selection Chart

SFS Plano-Convex Lens Selection Chart

Model	D (mm)	f (mm)	tc (mm)	te (mm)	fb (mm)	r (mm)	Centration
VLQLP10-15	10	15	4.1	2	12.2	6.9	1'
VLQLP10-25	10	25	3.1	2	22.8	11.5	1'
VLQLP15-25	15	25	4.8	2	21.7	11.5	1'
VLQLP15-30	15	30	4.2	2	27.1	13.8	1'
VLQLP15-50	15	50	3.3	2	47.8	23	1'
VLQLP25-30	25	30	10	2	23.2	13.8	1'
VLQLP25-35	25	35	8	2	29.6	16.1	1'

VLQLP25-50	25	50	5.7	2	46.1	23	1'
VLQLP25-75	25	75	4.3	2	72.05	34.5	1'
VLQLP25-100	25	100	3.7	2	97.4	46	1'
VLQLP25-150	25	150	3.1	2	147.8	69	1'
VLQLP25-200	25	200	2.9	2	198	92	1'
VLQLP25-250	25	250	2.7	2	248.2	115	1'
VLQLP25-300	25	300	2.5	2	298.29	138	1'
VLQLP25.4-30	25.4	30	10	1.6	23.2	13.8	1'
VLQLP25.4-35	25.4	35	8	1.8	29.5	16.1	1'
VLQLP25.4-40	25.4	40	6.9	1.8	35.3	18.4	1'
VLQLP25.4-50	25.4	50	5.7	1.9	46.1	23	1'
VLQLP25.4-60	25.4	60	5	1.9	56.6	27.6	1'
VLQLP25.4-75	25.4	75	4.35	1.9	72.02	34.5	1'
VLQLP25.4-80	25.4	80	4.2	1.9	77.1	36.8	1'
VLQLP25.4-100	25.4	100	3.7	1.9	97.5	46	1'
VLQLP25.4-125	25.4	125	3.4	1.9	122.7	57.5	1'
VLQLP25.4-150	25.4	150	3.1	1.9	147.9	69	1'
VLQLP25.4-175	25.4	175	3	1.9	172.9	80.5	1'
VLQLP25.4-200	25.4	200	2.9	1.9	198	92	1'
VLQLP25.4-250	25.4	250	2.7	1.9	248.2	115	1'
VLQLP25.4-300	25.4	300	2.5	1.9	298.3	138	1'
VLQLP25.4-400	25.4	400	2.3	1.9	398.4	184	1'
VLQLP25.4-450*	25.4	450	2.3	1.9	448.4	202.5	1'
VLQLP25.4-500	25.4	500	2.3	1.9	498.4	230	1'
VLQLP25.4-550*	25.4	550	2.23	1.9	548.5	247.5	1'
VLQLP25.4-600	25.4	600	2.2	2	598.49	276	1'
VLQLP25.4-750	25.4	750	2.1	1.9	748.56	345	1'
VLQLP25.4-1000	25.4	1000	2.1	1.9	998.6	460	1'
VLQLP25.4-1200*	25.4	1200	2.05	1.9	1198.6	540	1'
VLQLP25.4-1500*	25.4	1500	2.02	1.9	1498.6	675	1'
VLQLP25.4-1800*	25.4	1800	2	1.9	1798.6	810	1'
VLQLP25.4-R500	25.4	1100	2.06	1.9	1098.6	500	1'

VLQLP25.4-R1000	25.4	2200	1.98	1.9	2198.6	1000	1'
VLQLP25.4-R1500	25.4	3300	1.954	1.9	3298.7	1500	1'
VLQLP50-80	50	80	11.4	3	72.19	36.8	1'
VLQLP50-600	50	600	4.1	3	597.19	276	1'
VLQLP50.8-60	50.8	60	19.8	3	46.42	27.6	1'
VLQLP50.8-75	50.8	75	14.2	3	65.26	34.5	1'
VLQLP50.8-80	50.8	80	12.8	2.6	71.2	36.8	1'
VLQLP50.8-100	50.8	100	10.4	2.8	92.9	46	1'
VLQLP50.8-125	50.8	125	8.8	3	118.97	57.5	1'
VLQLP50.8-150	50.8	150	7.7	2.9	144.7	69	1'
VLQLP50.8-200	50.8	200	6.5	2.9	195.6	92	1'
VLQLP50.8-250	50.8	250	5.7	2.9	246.1	115	1'
VLQLP50.8-300	50.8	300	5.3	2.9	296.4	138	1'
VLQLP50.8-350	50.8	350	4.92	2.9	346.6	161	1'
VLQLP50.8-400	50.8	400	4.7	2.9	396.8	184	1'
VLQLP50.8-450	50.8	450	4.5	3	446.92	207	1'
VLQLP50.8-500	50.8	500	4.4	3	497	230	1'
VLQLP50.8-600*	50.8	600	4.17	3	597.1	270	1'
VLQLP50.8-750	50.8	750	3.9	3	747.33	345	1'
VLQLP50.8-800*	50.8	800	3.88	3	797.3	360	1'
VLQLP50.8-1000	50.8	1000	3.7	3	997.5	460	1'
VLQLP50.8-2000	50.8	2000	3.35	3	1997.7	916.8	1'

Service & Support

We are dedicated to delivering exceptional optoelectronic solutions to every client. From precision manufacturing and secure delivery to full-lifecycle technical support, we are here to ensure a seamless and reliable experience at every step.

1. Warranty Policy

Quality First, Worry-Free Operation

Warranty Period: We offer a **two-year** warranty service for all of our core optoelectronic products, effective from the date of shipment.

Coverage: We provide free repair or replacement services for malfunctions caused by material defects or workmanship errors under normal operating conditions.

Rapid Response: Upon receiving a warranty claim, we guarantee to initiate the assessment process within **24 hours** to minimize your equipment downtime.

2. Technical Support

Expert Team, Full-Process Guidance

Technical Consultation: Our team of senior optical engineers provides **24/7 online support** to assist with installation, commissioning, optical path alignment, and parameter optimization.

Scheduled Maintenance: We offer full-lifecycle maintenance recommendations, including firmware upgrades, optical component cleaning guidelines, and precision calibration services.

Training Services: We provide customized remote or on-site operational and safety training to ensure your team can operate the equipment efficiently and safely.

3. Logistics & Delivery

Precision Packaging, Global Reach

Professional Packaging: Given the fragile nature of optical instruments, we utilize industrial-grade shockproof, anti-static, and moisture-proof vacuum packaging to ensure zero damage during transit.

Logistics Partners: We partner with top-tier global logistics providers (**DHL / FedEx / UPS / SF Express**) to offer reliable shipping with real-time tracking.

Shipping Insurance: All shipments are fully insured to eliminate logistics risks.

4. Compliance & Certification


Strict Standards, Total Compliance

Quality Certification: Our manufacturing process is **ISO 9001 certified**, and our products comply with international standards such as **CE** and **RoHS**.

Export Compliance: "Committed to environmental responsibility, all our products comply with **RoHS 2.0** and **REACH** standards, ensuring safety and global compliance."

Explore Series

Model	r (mm)	te (mm)	fb (mm)	Centration	tc (mm)	D (mm)
VLQLP10-15	6.9	2	12.2	1'	4.1	10
VLQLP15-25	11.5	2	21.7	1'	4.8	15
VLQLP25-50	23	2	46.1	1'	5.7	25
VLQLP25.4-100	46	1.9	97.5	1'	3.7	25.4
VLQLP50-80	36.8	3	72.19	1'	11.4	50
VLQLP50.8-150	69	2.9	144.7	1'	7.7	50.8

 Get in touch with our team to explore configurations, request a quote, or learn more about customized solutions tailored to your needs.

Let us help you move science forward—faster and smarter.

[Get a Quote](#)



Get Expert Advice
+658099 5547 (WhatsApp)



Visit Us
www.venuslabtech.com