

Objectives

CF Plan Series Objectives

For bioscience imaging and materials science defect detection.

- Flat field correction across the entire field of view, eliminating edge blurring
- Multimodal compatibility, with brightfield as the basis to expand analysis dimensions
- High-precision aberration correction and optimization of optical performance
- Serialized design, covering all scenario requirements



One Platform Many Possibilities

Contact Us sales@venuslabtech.com

Get a Quote



Get Expert Advice
+658099 5547 (WhatsApp)



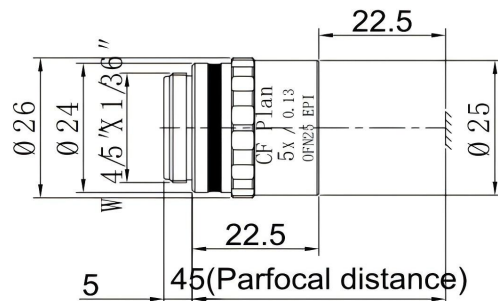
Visit Us
www.venuslabtech.com

Overview

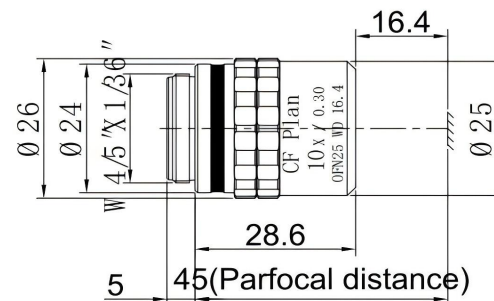
Introduction:

- Infinite conjugate 45mm, parfocal
- Suitable for coaxial illumination bright field only
- Plan achromatic
- Excellent flatness of full field of view image

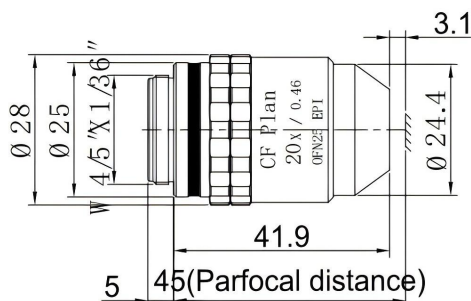
CF Plan 5X (Working Distance)



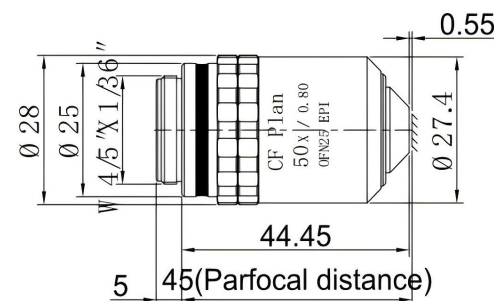
CF Plan 10X (Working Distance)



CF Plan 20X (Working Distance)



CF Plan 50X (Working Distance)



Service & Support

We are dedicated to delivering exceptional optoelectronic solutions to every client. From precision manufacturing and secure delivery to full-lifecycle technical support, we are here to ensure a seamless and reliable experience at every step.

1. Warranty Policy

Quality First, Worry-Free Operation

Warranty Period: We offer a **two-year** warranty service for all of our core optoelectronic products, effective from the date of shipment.

Coverage: We provide free repair or replacement services for malfunctions caused by material defects or workmanship errors under normal operating conditions.

Rapid Response: Upon receiving a warranty claim, we guarantee to initiate the assessment process within **24 hours** to minimize your equipment downtime.

2. Technical Support

Expert Team, Full-Process Guidance

Technical Consultation: Our team of senior optical engineers provides **24/7 online support** to assist with installation, commissioning, optical path alignment, and parameter optimization.

Scheduled Maintenance: We offer full-lifecycle maintenance recommendations, including firmware upgrades, optical component cleaning guidelines, and precision calibration services.

Training Services: We provide customized remote or on-site operational and safety training to ensure your team can operate the equipment efficiently and safely.

3. Logistics & Delivery

Precision Packaging, Global Reach

Professional Packaging: Given the fragile nature of optical instruments, we utilize industrial-grade shockproof, anti-static, and moisture-proof vacuum packaging to ensure zero damage during transit.

Logistics Partners: We partner with top-tier global logistics providers (**DHL / FedEx / UPS / SF Express**) to offer reliable shipping with real-time tracking.

Shipping Insurance: All shipments are fully insured to eliminate logistics risks.

4. Compliance & Certification


Strict Standards, Total Compliance

Quality Certification: Our manufacturing process is **ISO 9001 certified**, and our products comply with international standards such as **CE** and **RoHS**.

Export Compliance: "Committed to environmental responsibility, all our products comply with **RoHS 2.0** and **REACH** standards, ensuring safety and global compliance."

Explore Series

Model	R	NA	±D.F	WD
VL CF Plan 5X	2.12um	0.13	16.27um	22.5mm
VL CF Plan 10X	0.92um	0.30	3.06um	16.4mm
VL CF Plan 20X	0.60um	0.46	1.29um	3.1mm
VL CF Plan 50X	0.34um	0.80	0.43um	0.55mm

 Get in touch with our team to explore configurations, request a quote, or learn more about customized solutions tailored to your needs.

Let us help you move science forward—faster and smarter.

[Get a Quote](#)



Get Expert Advice
+658099 5547 (WhatsApp)



Visit Us
www.venuslabtech.com